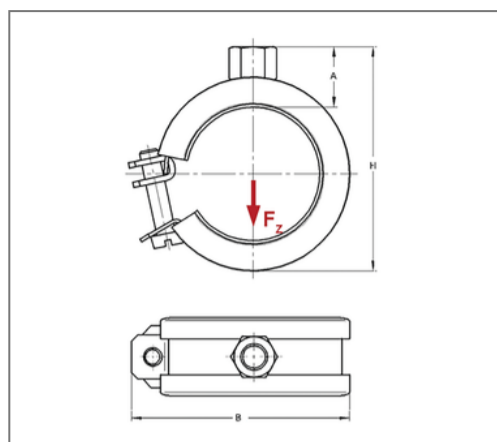


■ Pipe clamp Omnia 20x0,8 28 - 30 mm M10 TPE



Commercial details

Part no.	0381284
EAN/GTIN	4250928408006
Packing unit	100 pcs
Quantity unit	pcs
Weight	0,0610 kg/pc
Product group	01-038
Price unit	100

QR code



Certification



Specification

Application area	Pipe clamp for fixing pipes.
Specification	one-part
Connection	M10
Closure	Sleivable U-closure

Technical data

Material	Steel
Material type	DC01-A, DD11
Surface	galvanized
Insulation thickness	6 mm
Temperature resistance	-35 °C - 100 °C
Sound insulation lining	TPE

Product details

Connection height A	21 mm
Width B	55 mm
Colour sound insulation lining	black
Height H	54 mm
Material dimension	20x0,8 mm
load F_z	0,8 kN
Clamping range	28 - 30 mm
Outside pipe diameter inch	3/4 inch
Closure screw	M6