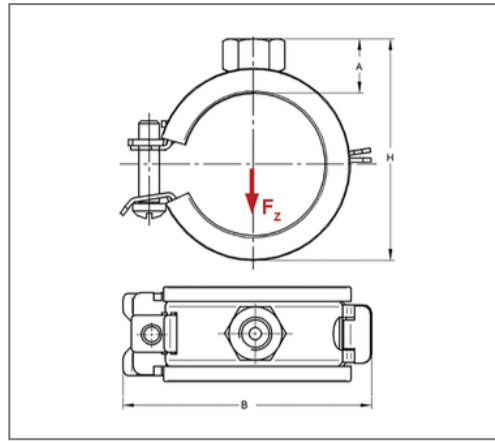


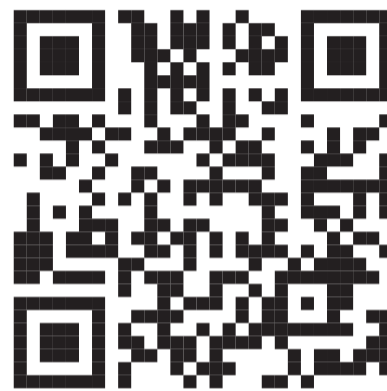
## ■ Pipe clamp Sigma 20x1,5 58 - 60 mm M8 EPDM



### Commercial details

Part no.	14510601
EAN/GTIN	4250928432247
Packing unit	50 pcs
Quantity unit	pcs
Weight	0,0910 kg/pc
Product group	01-045
Price unit	100

### QR code



### Certification



### Specification

Application area	Pipe clamp for fastening pipes.
Specification	one-part
Connection	M8
Closure	Sigma safety quick-closure

### Technical data

Material	Steel
Material type	DC01-A, DD11
Surface	galvanized
Corrosion category	C2 very high
Surrounding area	Indoor area
Insulation thickness	3 mm
Temperature resistance	-35 °C - 100 °C
Sound insulation lining	Rubber EPDM

### Product details

Connection height A	12 mm
Width B	89 mm
Colour sound insulation lining	black
Height H	76 - 79 mm
Material dimension	20x1,5 mm
Load $F_z$	0,8 kN
Clamping range	58 - 60 mm
Outside pipe diameter inch	val.RohraußendurchmesserZoll. 2 inch
Closure screw	M5