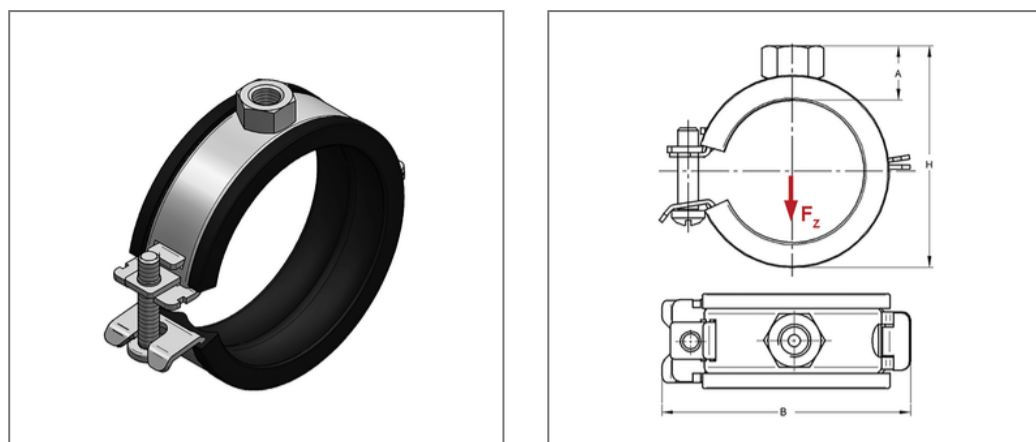


## ■ Pipe clamp Sigma 20x1,5 53 - 57 mm M8 EPDM



### Commercial details

Part no.	14510571
EAN/GTIN	4250928432230
Packing unit	50 pcs
Quantity unit	pcs
Weight	0,0860 kg/pc
Product group	01-045
Price unit	100

### QR code



### Certification



### Specification

Application area	Pipe clamp for fastening pipes.
Specification	one-part
Connection	M8
Closure	Sigma safety quick-closure

### Technical data

Material	Steel
Material type	DC01-A, DD11
Surface	galvanized
Corrosion category	C2 very high
Surrounding area	Indoor area
Insulation thickness	3 mm
Temperature resistance	-35 °C - 100 °C
Sound insulation lining	Rubber EPDM

### Product details

Connection height A	12 mm
Width B	85 mm
Colour sound insulation lining	black
Height H	71 - 75 mm
Material dimension	20x1,5 mm
Load Fz	0,8 kN
Clamping range	53 - 57 mm
Closure screw	M5