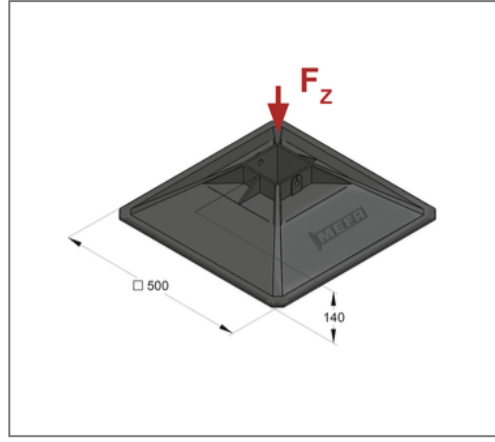
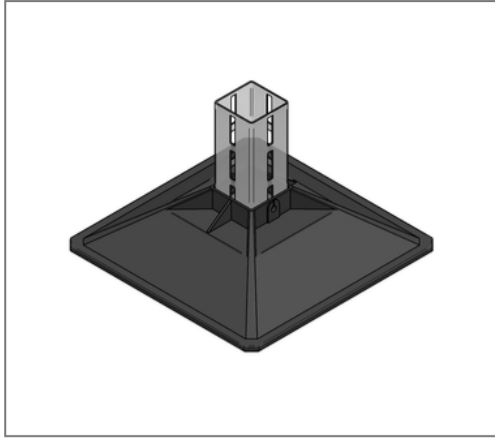


■ Rooftop holder CENTUM for XL 100



Commercial details

Part no.	166201002
EAN/GTIN	4250928470300
Packing unit	2 pcs
Quantity unit	pcs
Weight	3,66 kg/pc
Product group	14-166
Price unit	1

QR code



Specification

Application area	For profile channel constructions on rooftops.
Specification	The XL 100 roof top holder has two additional holes for screwing the profile to the roof bracket
Profile type	XL 100
Installation advise	The pre-assembled floor pad is preventing from damage of roofing (membrane) through softening agents. The square profile is inserted into the rooftop holder for mounting. The use of roof brackets on gravel or extensive greening is not recommended.
Recommended accessories	Universal wedge and separation fleece see Chapter 2c. For the XL 100 roof bracket, you will also need a hexagon screw M12 x 120, nut M12 and washer.

Technical data

Material	Plastic
Material type	HDPE

Product details

load F_z	10 kN
Length plate	500 mm
Width plate	500 mm
Temperature resistance	-40 - 80 °C