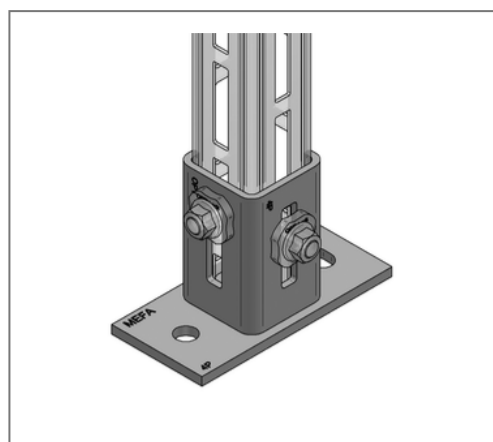
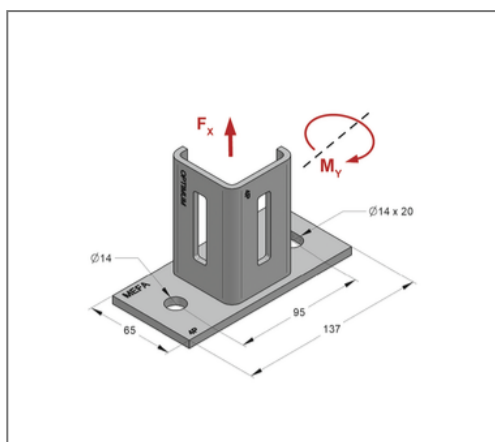
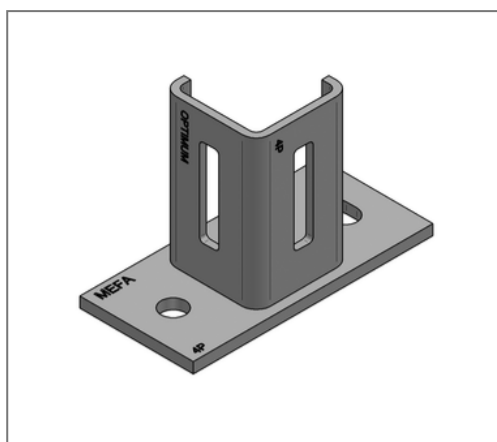


■ OPTIMUM XLV Holder for OPTIMUM XLV ZnNi



Commercial details

Part no.	08245001
EAN/GTIN	4250928470201
Packing unit	10 pcs
Quantity unit	pcs
Weight	0,674 kg/pc
Product group	02-085
Price unit	1

QR code



Certification



Specification

Application area	For mounting the OPTIMUM XLV profiles.
Profile	OPTIMUM XLV
Recommended accessories	OPTI-Lock M10x15

Technical data

Material	Steel
Material type	S235
Surface	Zinc-Nickel
Corrosion category	C4 high / C5 medium
Surrounding area	Indoor and outdoor areas

Product details

Limited torque M_y	0,2 kNm
Load F_x	6 kN
Length plate	137 mm
Width plate	65 mm
Plate thickness	6 mm
Hole distance	95 mm