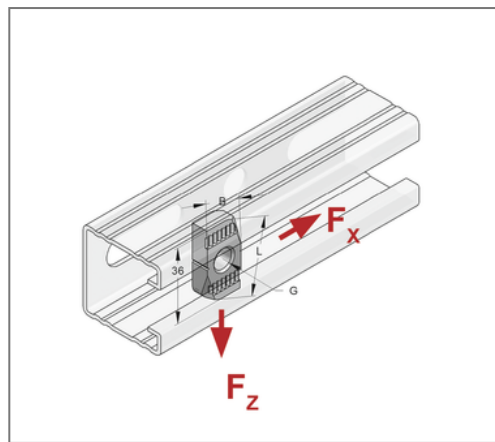
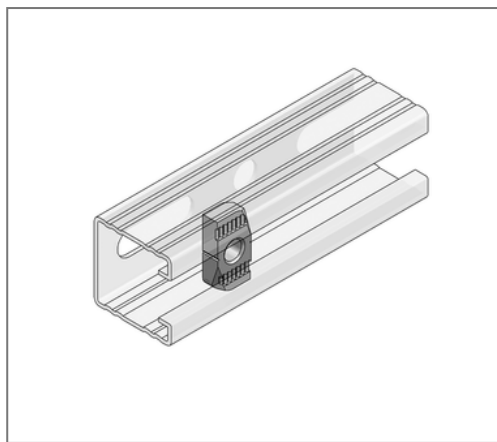


## ■ Tooth plate S M10 36 x 20 mm galv.



### Commercial details

Part no.	081810203
EAN/GTIN	4250928469687
Packing unit	100 pcs
Quantity unit	pcs
Weight	0,0441 kg/pc
Product group	02-081
Price unit	1

### QR code



### Certification



### Technical data

Material	Steel
Material type	S235
Surface	galvanized

### Product details

Loading capacity	see loads in the catalogue
Length L	36 mm
Width B	20 mm
Material thickness	8 mm
Thread G	M10
Profile type	45
Shape	pivoted