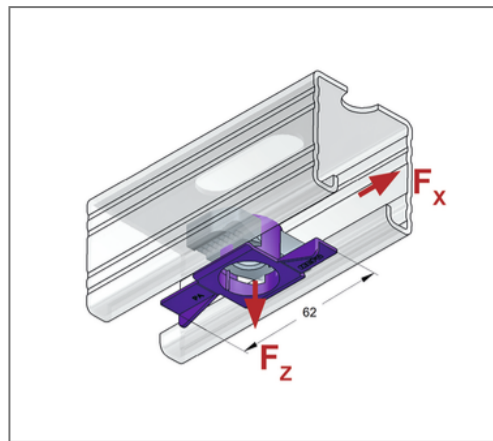
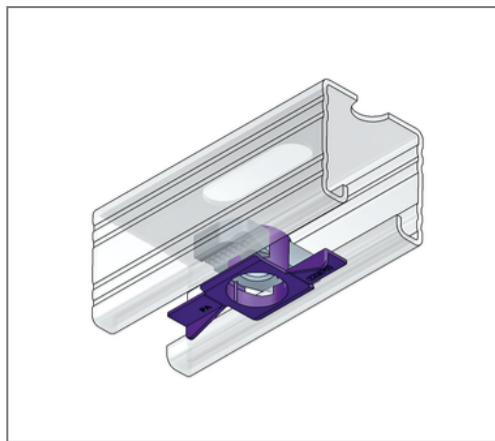
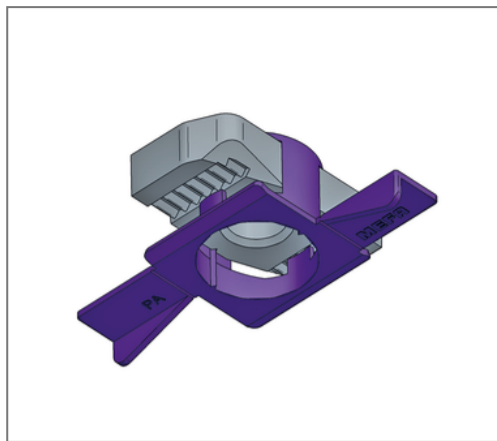


■ Stex 45 mounting plate MP-S M8 ZnNi



Commercial details

Part no.	081810401
EAN/GTIN	4250928469649
Packing unit	50 pcs
Quantity unit	pcs
Weight	0,0474 kg/pc
Product group	02-081
Price unit	1

QR code



Certification



Technical data

Material	Steel
Material type	S235
Surface	Zinc-Nickel
Corrosion category	C4 high / C5 medium
Surrounding area	Indoor and outdoor areas
Material cage	Plastic
Materialname cage	Polyamide 6

Product details

Loading capacity	see loads in the catalogue
Length	38 mm
Width	62 mm
Thread	M8
Profile type	45
Shape	pivoted