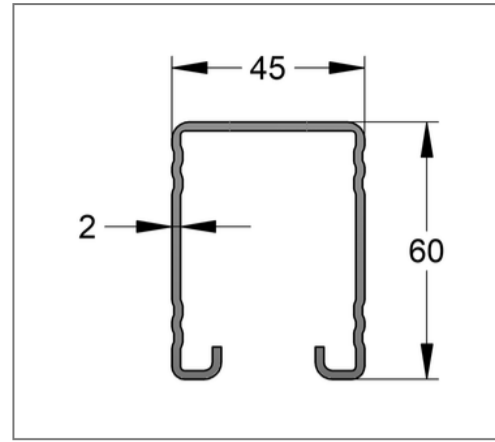
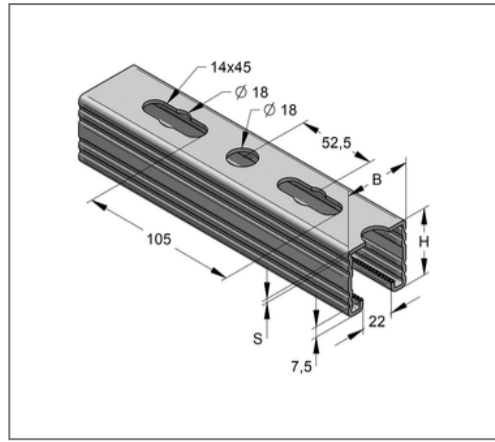
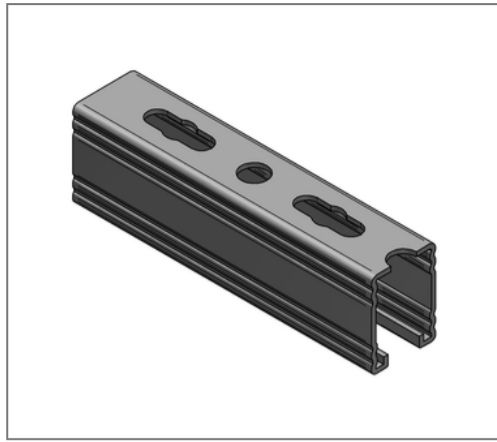


■ Profile rail C-profile 45 / 60 / 2 mm L= 6 m pre-galv.



Commercial details

Part no.	0810758
EAN/GTIN	4250928469823
Packing unit	30 m
Bundle	240 m
Quantity unit	m
Weight	2,78 kg/m
Product group	02-082
Price unit	1

QR code



Certification



Specification

Application area	Medium weight mounting rail with quick connection option.
Specification	Toothed profile.
Type of attachment	form-locking connection

Technical data

Material	Steel
Material type	S250
Surface	pre-galvanized
TSP	no
Corrosion category	C2 very high
Surrounding area	Indoor area

Product details

Width	45 mm
Height	60 mm
Thickness	2 mm
Length	6 m
Hole-Ø	18,00 mm
Elongated hole	14x45 mm
Expansion elongated hole	18,0 mm
Area (least cross section of the profile rail)	3,34 cm ²
Axial angular impulse I _y	14,46 cm ⁴
Axial angular impulse I _z	12,93 cm ⁴
Grid dimension	105,0 mm
Rail slot width	22 mm

Remark

Notice	Full bundles, only
Note	not certified acc. to RAL

Product details

Centroid distance e_o	2,92 cm
Centroid distance e_u	3,08 cm
Centroid distance e_z	2,25 cm
Elastic limit	250 N/mm ²
Radius of inertia i_y	2,08 cm
Radius of inertia i_z	1,96 cm
Section modulus W_y	4,7 cm ³
Section modulus W_z	5,74 cm ³