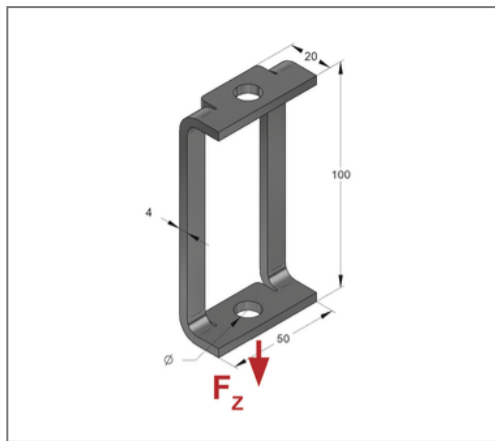


■ Suspending console 2-hole Height 100 mm for thread M10



Commercial details

Part no.	0812191
EAN/GTIN	4250928469489
Packing unit	50 pcs
Quantity unit	pcs
Weight	0,107 kg/pc
Product group	02-081
Price unit	1

QR code



Technical data

Material	Steel
Material type	S235
Surface	galvanized
Corrosion category	C2 very high
Surrounding area	Indoor area

Product details

Width	50 mm
Height	100 mm
Load F_z	1,9 kN
Length	20 mm
for thread	M10
Hole- \emptyset	10,5 mm