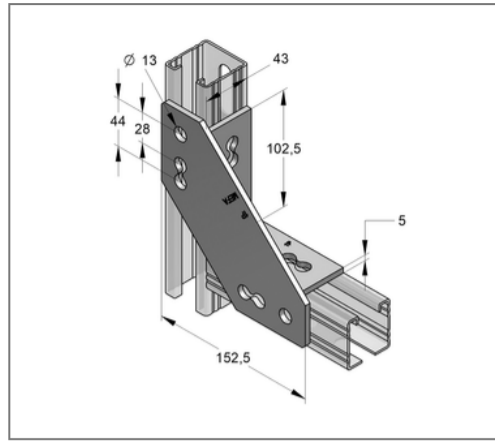
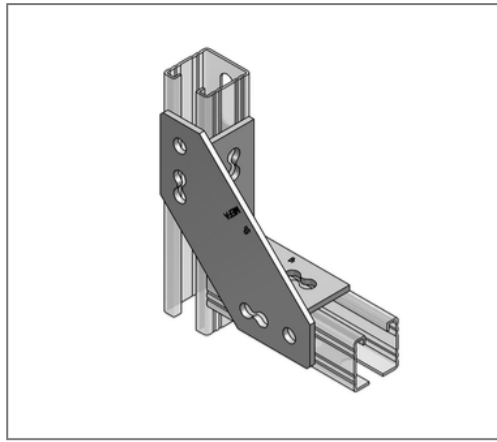


■ Universal knot 4-hole 152,5 x 152,5 x 5 mm for profile 45



Commercial details

Part no.	08141602
EAN/GTIN	4250928469519
Packing unit	10 pcs
Quantity unit	pcs
Weight	0,826 kg/pc
Product group	02-081
Price unit	1

QR code



Specification

Application	Corner joint of C-profile channels. Even with changing rail slot position.
Specification	4-hole
Profile type	45

Technical data

Material	Steel
Material type	S235
Surface	galvanized
Corrosion category	C2 very high
Surrounding area	Indoor area

Product details

Height H	152,5 mm
Length L	152,5 mm
Thickness S	5 mm