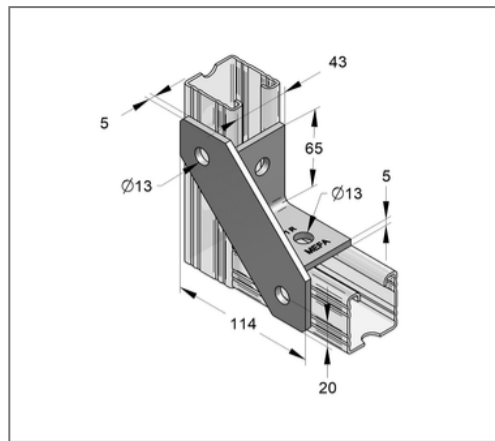
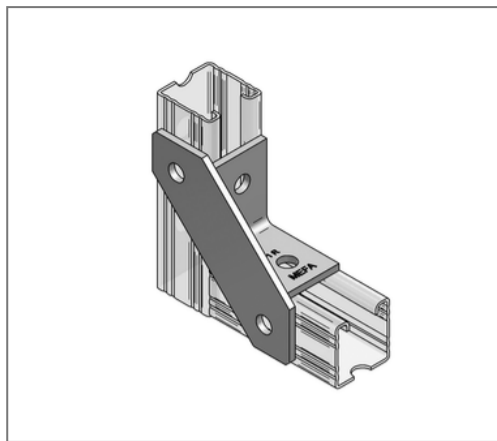


■ Universal knot 2-hole 114 x 114 x 5 mm for profile 45



Commercial details

Part no.	08141603
EAN/GTIN	4250928469465
Packing unit	25 pcs
Quantity unit	pcs
Weight	0,459 kg/pc
Product group	02-081
Price unit	1

QR code



Specification

Application	Corner joint of C-profile channels. Even with changing rail slot position.
Specification	2-hole
Profile type	45

Technical data

Material	Steel
Material type	S235
Surface	galvanized
Corrosion category	C2 very high
Surrounding area	Indoor area

Product details

Height H	114 mm
Length L	114 mm
Thickness S	5 mm