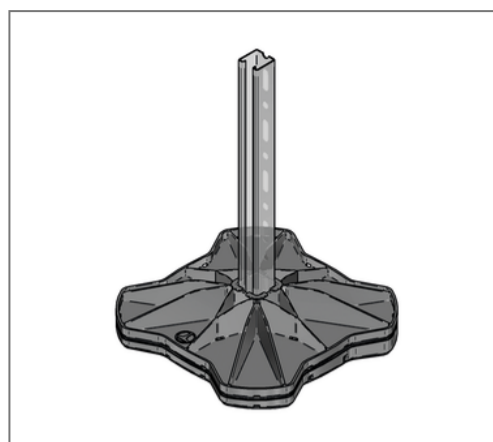
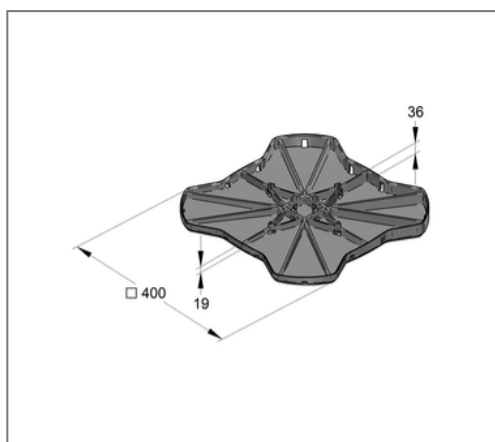
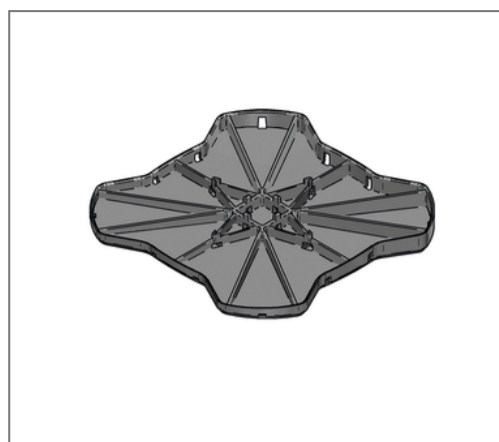


## ■ Angled base BIG FOOT® 400 Plastic 400x400x19 / 36 mm 2,5 °



### Commercial details

Part no.	08197629
EAN/GTIN	4250928468949
Packing unit	1 pcs
Quantity unit	pcs
Weight	1,20 kg/pc
Product group	02-081
Price unit	1

### QR code



### Specification

Application area	Accessories for the BIG FOOT® roof brackets to compensate a roof pitch.
Specification	BIG FOOT® slope wedge with bonded EPDM carpet pad and integrated water drainage.
Recommended accessories	separating fleece as additional protection for the roof cladding.

### Technical data

Material	Plastic
Material type	Polyamid 6
Material pad	EPDM
Temperature resistance	-40 up to 80 °C

### Product details

Width	400 mm
Length	400 mm
Area	1246,08 cm <sup>2</sup>
Height 1	19 mm
Height 2	36 mm
Tilt	2,5 °
Suitable for	BIG FOOT® 400