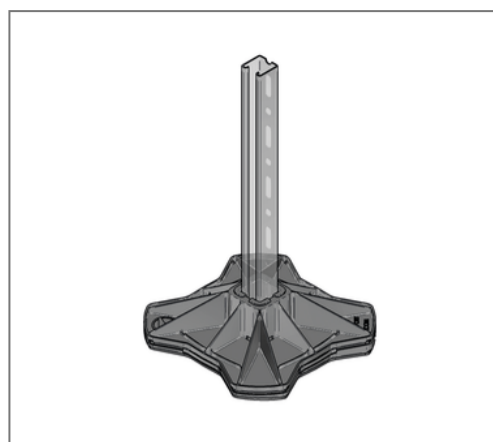
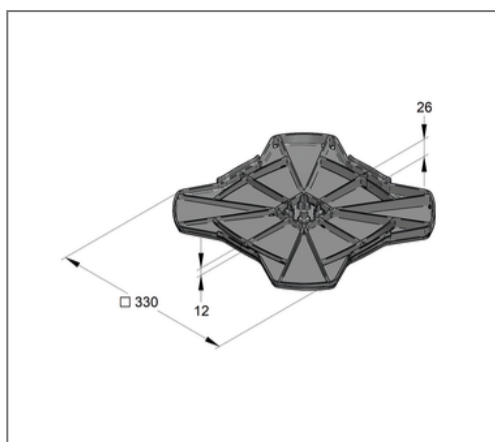
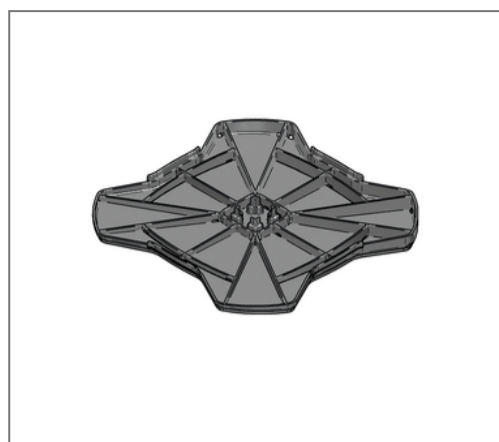


■ Angled base BIG FOOT® 330 Plastic 330x330x12 / 26 mm 2,5 °



Commercial details

Part no.	08197628
EAN/GTIN	4250928468932
Packing unit	1 pcs
Quantity unit	pcs
Weight	0,600 kg/pc
Product group	02-081
Price unit	1

QR code



Specification

Application area	Accessories for the BIG FOOT® roof brackets to compensate a roof pitch.
Specification	BIG FOOT® slope wedge with bonded EPDM carpet pad and integrated water drainage.
Recommended accessories	separating fleece as additional protection for the roof cladding.

Technical data

Material	Plastic
Material type	Polyamid 6
Material pad	EPDM
Temperature resistance	-40 up to 80 °C

Product details

Width	330 mm
Length	330 mm
Area	828,62 cm ²
Height 1	12 mm
Height 2	26 mm
Tilt	2,5 °
Suitable for	BIG FOOT® 330