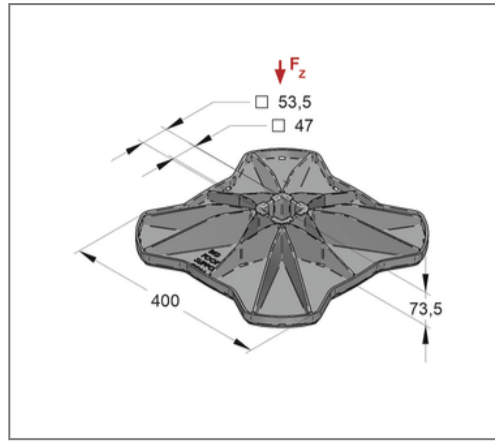
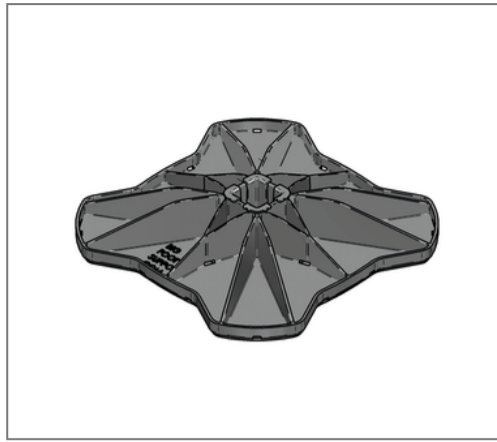


## ■ Rooftop holder BIG FOOT® 400 for C-profile 45/45



### Commercial details

Part no.	08197625
EAN/GTIN	4250928468925
Packing unit	2 pcs
Quantity unit	pcs
Weight	1,90 kg/pc
Product group	02-081
Price unit	1

### QR code



### Specification

Application area	For the elevation of supporting structures on flat roofs.
Specification	BIG FOOT® with attached EPDM base and integrated water drain.
Profile type	45
Profile	C-profile
Installation advise	The use of roof brackets on gravel or extensive greening is not recommended.
Scope of delivery	1x holder foot, 1x adapter for rail system 45
Recommended accessories	Separating fleece as additional protection for the roof membrane. Angled bases are available to compensate for roof slopes.

### Technical data

Material	Plastic
Material type	Polyamid 6

### Product details

Load $F_z$	7,5 kN
Length plate	400 mm
Width plate	400 mm
Area	1246,08 cm <sup>2</sup>
Suitable for	C-profile 45/45
Temperature resistance	-20 - 80 °C