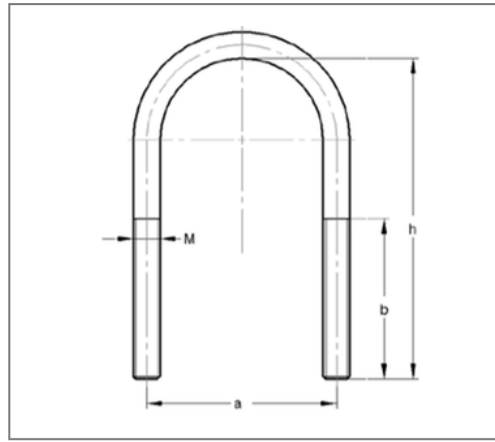


## ■ U-bolt 26,9 mm M8 Total height 85 mm



### Commercial details

Part no.	050702801
EAN/GTIN	4250928463760
Packing unit	100 pcs
Quantity unit	pcs
Weight	0,0623 kg/pc
Product group	01-050
Price unit	1

### QR code



### Specification

Application area	For direct installation of piping onto steel structures and suitable for push-through-assembling into profile rails. Suitable for sprinkler and VdS.
------------------	--

### Product details

Center distance a	35 mm
Height h	85 mm
Outside pipe diameter inch	val.RohraußendurchmesserZoll. 3/4 inch
Thread M	M8
Length thread b	65 mm
Outer pipe diameter	26,9 mm

### Technical data

Material	Steel
Material type	S235
Surface	galvanized
Corrosion category	C2 very high
Surrounding area	Indoor area

### Remark

Notice	without nut
--------	-------------