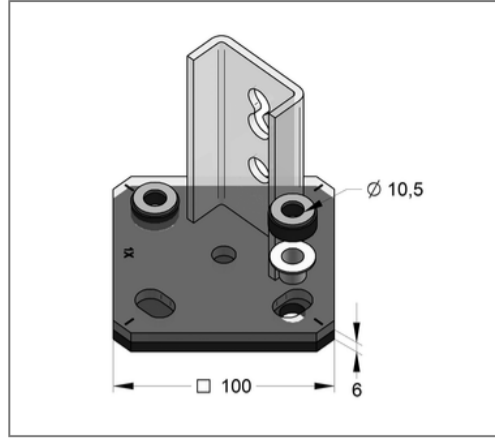
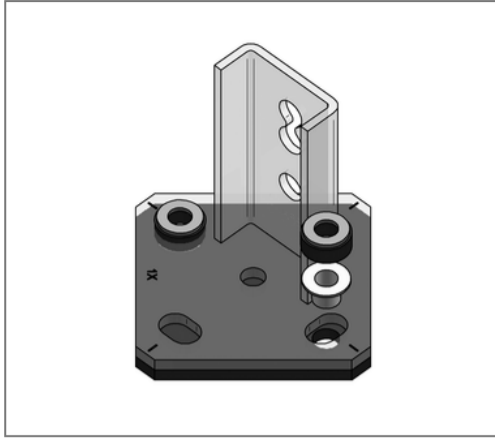


■ Sound-decoupling set Holder Insulation plate 100x100x6 mm M10



Commercial details

Part no.	0812003
EAN/GTIN	4250928459527
Packing unit	1 set
Quantity unit	set
Weight	0,0867 kg/set
Product group	02-081
Price unit	1

QR code



Certification



Specification

Specification Suitable for holder 45/26-52 v/h. Washers with integrated insulating ring.

Technical data

Material	Rubber
Material type	EPDM
min. temperature resistance	-35 °C
max. temperature resistance	100 °C

Product details

Dimension	100x100x6 mm
for thread	M10

Remark

Notice suitable for holder 45/26-52 l/q