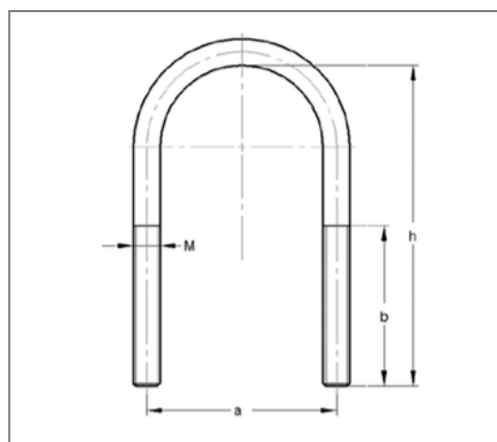


## ■ U-bolt 168,3 mm M12 Total height 255 mm



### Commercial details

Part no.	050716801
EAN/GTIN	4250928463241
Packing unit	25 pcs
Quantity unit	pcs
Weight	0,449 kg/pc
Product group	01-050
Price unit	1

### QR code



### Specification

Application For direct installation of piping onto steel area structures and suitable for push-through-assembling into profile rails. Suitable for sprinkler and VdS.

### Product details

Center distance a	180 mm
Height h	255 mm
Outside pipe diameter inch	val.RohraußendurchmesserZoll.6 inch
Thread M	M12
Length thread b	95 mm
Outer pipe diameter	168,3 mm

### Technical data

Material	Steel
Material type	S235
Surface	galvanized
Corrosion category	C2 very high
Surrounding area	Indoor area

### Remark

Notice	without nut
--------	-------------