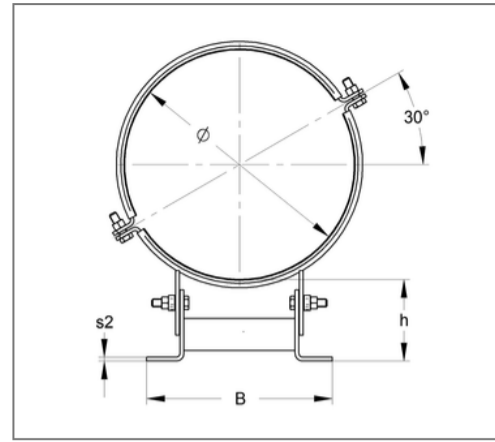
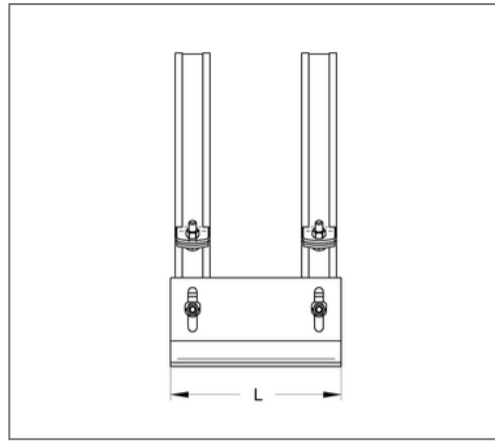
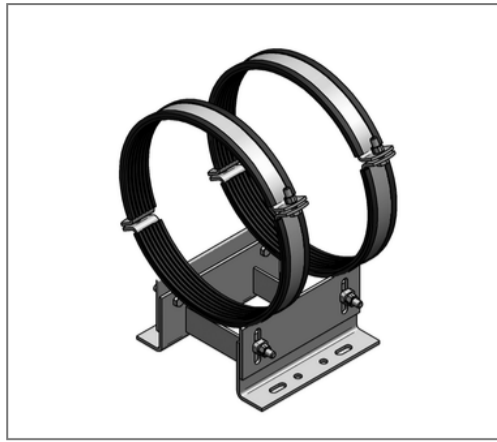


■ Sliding sledge A HV 100-150 50x5 225 mm EPDM hot-dip galv.



Commercial details

Part no.	142afb0225
EAN/GTIN	4250928462862
Packing unit	1 pcs
Quantity unit	pcs
Weight	12,71 kg/pc
Product group	14-143
Price unit	1

QR code



Specification

Specification	Double-L-support
Closure	Nut / closure screw

Technical data

Material	Steel
Material type	S235
Surface	hot-dip galvanized
Sound insulation lining	Rubber EPDM
Safety factor	1,54
min. temperature resistance	-35 °C
max. temperature resistance	100 °C

Product details

Closure screw	M12
Outer pipe diameter	225 mm
Material thickness	6 mm
Width pipe clamp strap	50 mm
Width substructure	256 mm
Length of substructure	270 mm
load F_x	4,44 kN
load F_y	5 kN
load F_z hanging μ 0,2	8,52 kN
load F_z hanging μ 0,3	8,52 kN
load F_z standing μ 0,2	17,05 kN
load F_z standing μ 0,3	16,67 kN

Product details

Thickness clamp strap	5 mm
min. height base	100 mm
max. height base	155 mm
Insulation thickness	6 mm