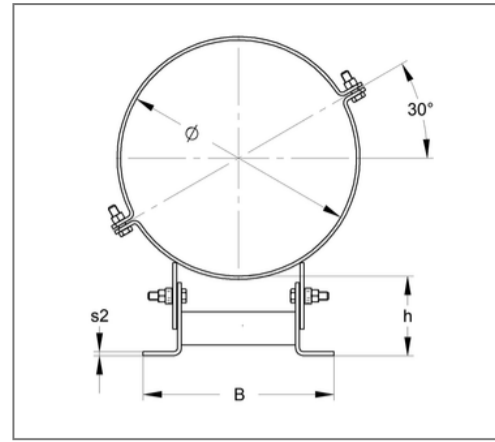
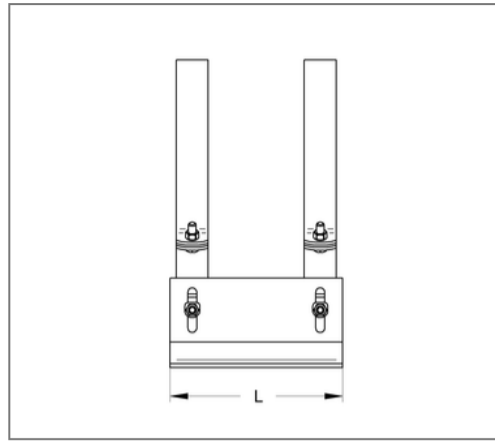
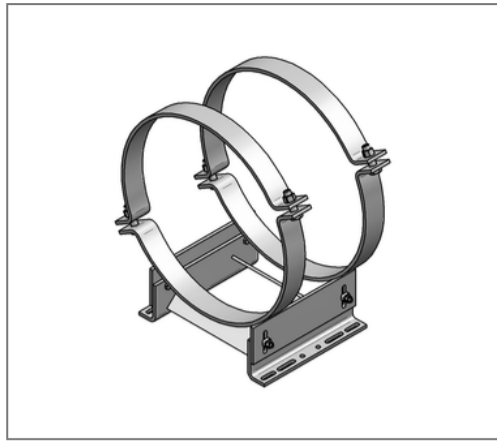


## ■ Sliding sledge A HV 100-150 70x10 813 mm unlined hot-dip galv.



### Commercial details

Part no.	142afa0813
EAN/GTIN	4250928462688
Packing unit	1 pcs
Quantity unit	pcs
Weight	66,12 kg/pc
Product group	14-143
Price unit	1

### QR code



### Specification

Specification	Double-L-support
Closure	Nut / closure screw

### Technical data

Material	Steel
Material type	S235
Surface	hot-dip galvanized
Sound insulation lining	unlined
Safety factor	1,54

### Product details

Closure screw	M20
Outer pipe diameter	813 mm
Material thickness	12 mm
Width pipe clamp strap	70 mm
Width substructure	526 mm
Length of substructure	470 mm
load $F_x$	29,59 kN
load $F_y$	40 kN
load $F_z$ hanging	40 kN
load $F_z$ standing	40 kN
Thickness clamp strap	10 mm
min. height base	91 mm
max. height base	151 mm