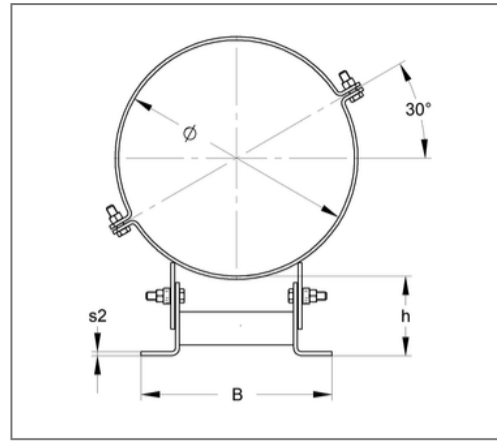
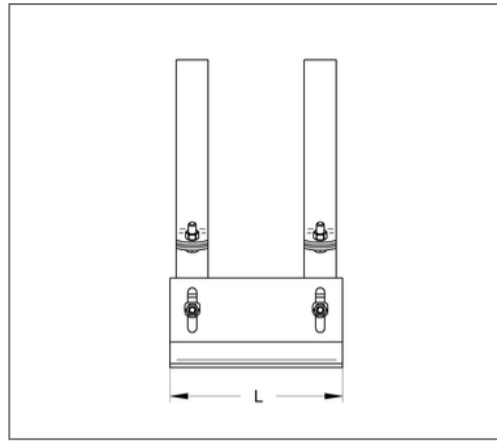
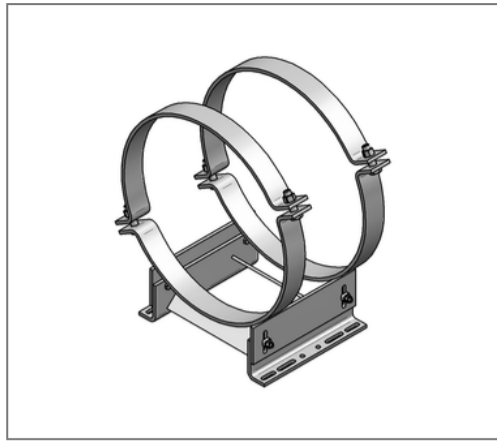


## ■ Sliding sledge A HV 100-150 70x10 610 mm unlined hot-dip galv.



### Commercial details

Part no.	142afa0610
EAN/GTIN	4250928462664
Packing unit	1 pcs
Quantity unit	pcs
Weight	49,17 kg/pc
Product group	14-143
Price unit	1

### QR code



### Specification

Specification	Double-L-support
Closure	Nut / closure screw

### Technical data

Material	Steel
Material type	S235
Surface	hot-dip galvanized
Sound insulation lining	unlined
Safety factor	1,54

### Product details

Closure screw	M20
Outer pipe diameter	610 mm
Material thickness	10 mm
Width pipe clamp strap	70 mm
Width substructure	468 mm
Length of substructure	390 mm
load $F_x$	18,79 kN
load $F_y$	40 kN
load $F_z$ hanging	34,2 kN
load $F_z$ standing	40 kN
Thickness clamp strap	10 mm
min. height base	91 mm
max. height base	151 mm