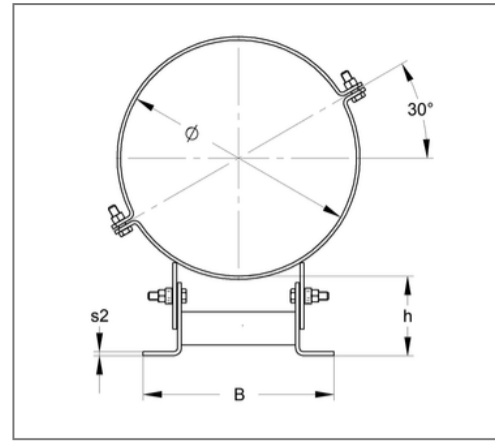
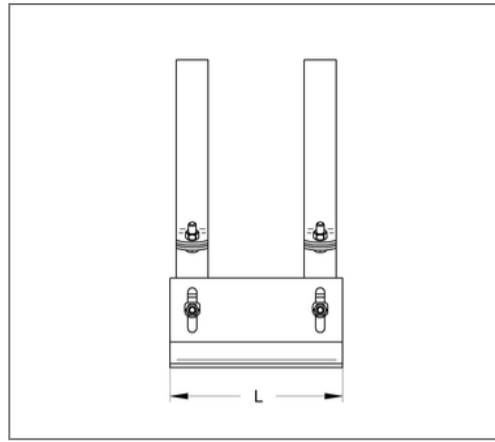
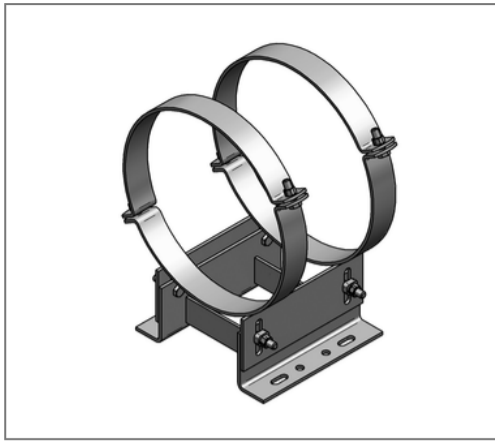


■ Sliding sledge A HV 100-150 50x5 324 mm unlined hot-dip galv.



Commercial details

Part no.	142afa0324
EAN/GTIN	4250928462589
Packing unit	1 pcs
Quantity unit	pcs
Weight	13,56 kg/pc
Product group	14-143
Price unit	1

QR code



Specification

Specification	Double-L-support
Closure	Nut / closure screw

Technical data

Material	Steel
Material type	S235
Surface	hot-dip galvanized
Sound insulation lining	unlined
Safety factor	1,54

Product details

Closure screw	M12
Outer pipe diameter	324 mm
Material thickness	6 mm
Width pipe clamp strap	50 mm
Width substructure	288 mm
Length of substructure	270 mm
load F_x	4,32 kN
load F_y	20 kN
load F_z hanging	8,52 kN
load F_z standing	17,05 kN
Thickness clamp strap	5 mm
min. height base	94 mm
max. height base	150 mm