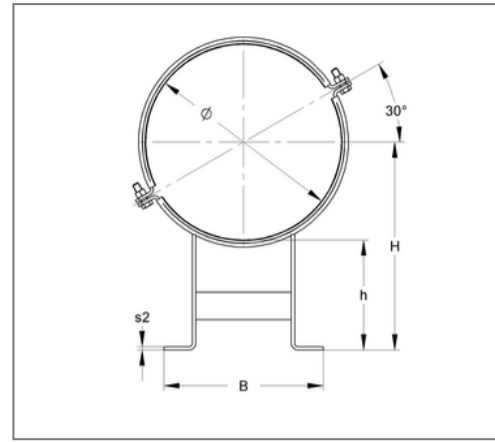
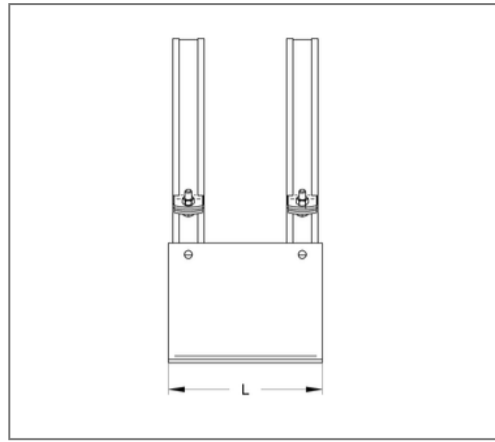
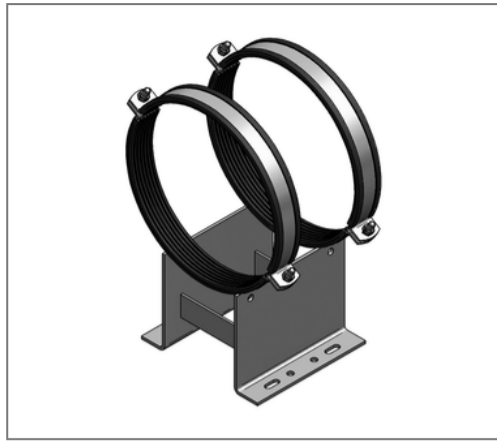


## ■ Sliding sledge C 50 x 5 mm 508 mm EPDM hot-dip galv.



### Commercial details

Part no.	110cfb0508
EAN/GTIN	4250928462497
Packing unit	1 pcs
Quantity unit	pcs
Weight	25,44 kg/pc
Product group	14-108
Price unit	1

### QR code



### Specification

Specification	Double-L-support
Closure	Screw + nut

### Technical data

Material	Steel
Material type	S235
Surface	hot-dip galvanized
Insulation thickness	6 mm
min. temperature resistance	-35 °C
max. temperature resistance	100 °C
Sound insulation lining	Rubber EPDM
Safety factor	1,54

### Product details

Closure screw	M12
Outer pipe diameter	508 mm
Axis height	454 mm
Material thickness	8 mm
Width pipe clamp strap	50 mm
Width substructure	364 mm
Length of substructure	390 mm
load $F_x$	8,66 kN
load $F_y$	5 kN
load $F_z$ standing $\mu$ 0,2	25 kN
load $F_z$ standing $\mu$ 0,3	16,67 kN

## Product details

load $F_z$ hanging $\mu$ 0,2	21,89 kN
load $F_z$ hanging $\mu$ 0,3	16,67 kN
Thickness clamp strap	5 mm