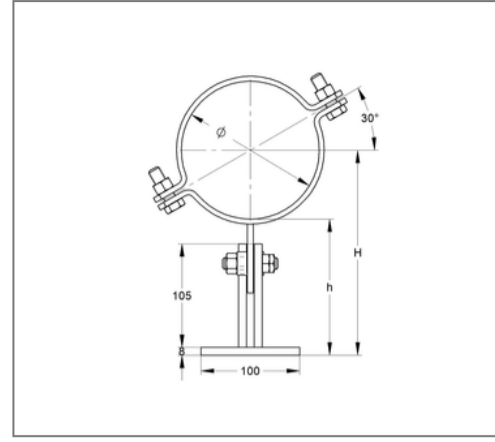
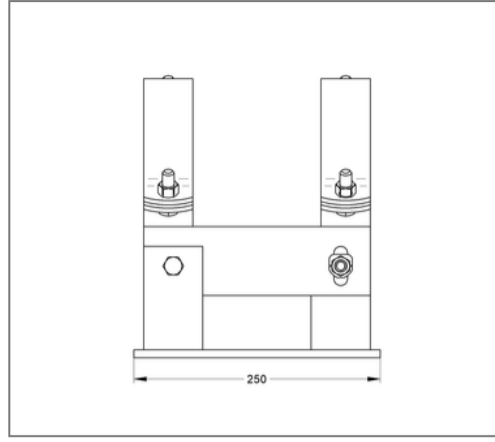
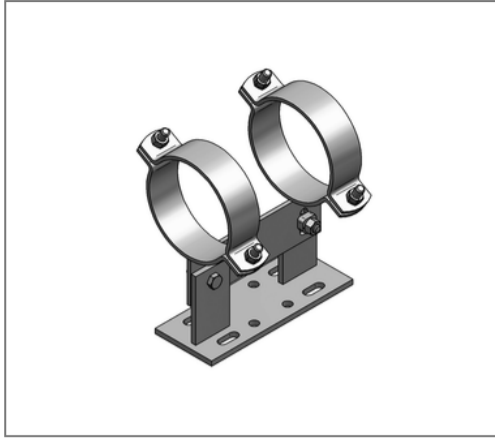


■ Sliding support T 2PC HV2 35x4 40 - 42 mm unlined 100x250 mm hot-dip galv.



Commercial details

Part no.	141bfba0042
EAN/GTIN	4250928460523
Packing unit	1 pcs
Quantity unit	pcs
Weight	4,16 kg/pc
Product group	14-144
Price unit	1

QR code



Specification

Specification	T-support
Closure	Nut / closure screw
Tightening torque	80 Nm

Technical data

Material	Steel
Material type	S235
Surface	hot-dip galvanized
Sound insulation lining	unlined

Product details

min. outside pipe diameter	40 mm
max. outer pipe diameter	42 mm
Material thickness	8 mm
Width pipe clamp strap	35 mm
Thickness clamp strap	4 mm
Width substructure	100 mm
Length of substructure	250 mm
load F_x	5,67 kN
load F_y	8 kN
load F_z hanging	6,84 kN
load F_z standing	13,67 kN
min. height base	125 mm
max. height base	150 mm
min. tubular axle	145 mm
max. tubular axle	171 mm