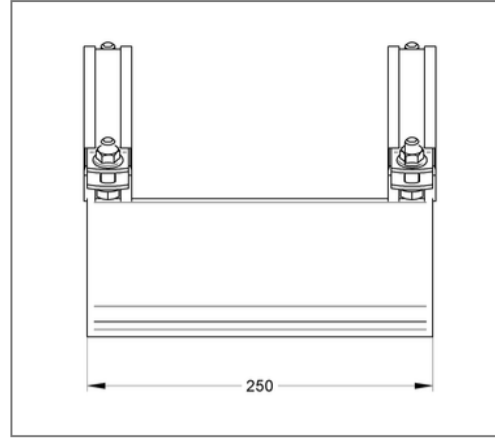
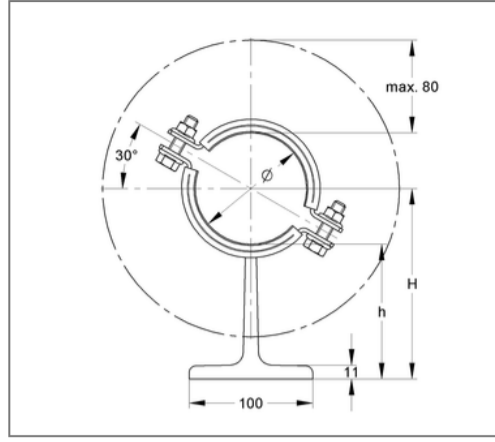
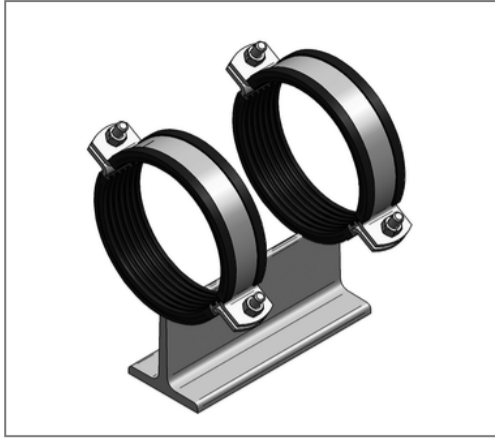


## ■ Sliding support T h=111 50 x 5 mm 140 mm TPE hot-dip galv.



### Commercial details

Part no.	145fb0140
EAN/GTIN	4250928460196
Packing unit	1 pcs
Quantity unit	pcs
Weight	7,69 kg/pc
Product group	14-148
Price unit	1

### QR code



### Certification



### Specification

Specification	T-support
Closure screw	M12

### Technical data

Material	Steel
Material type	S235
Surface	hot-dip galvanized
Corrosion category	C4 high / C5 medium
Surrounding area	Indoor and outdoor areas
Insulation thickness	6 mm
Temperature resistance	-35 °C - 100 °C
Sound insulation lining	TPE
Safety factor	1,54
Class	B2

### Product details

Outer pipe diameter	140 mm
Material dimension pipe clamp	50x5 mm
Width substructure	100 mm
Height base	111 mm
Length of substructure	250 mm
Load $F_x$	4,05 kN
Load $F_y$	3 kN
Load $F_z$ hanging $\mu$ 0,2	6,4 kN
Load $F_z$ hanging $\mu$ 0,3	6,4 kN

## Product details

Load $F_z$ standing $\mu$ 0,2	12,8 kN
Load $F_z$ standing $\mu$ 0,3	10 kN