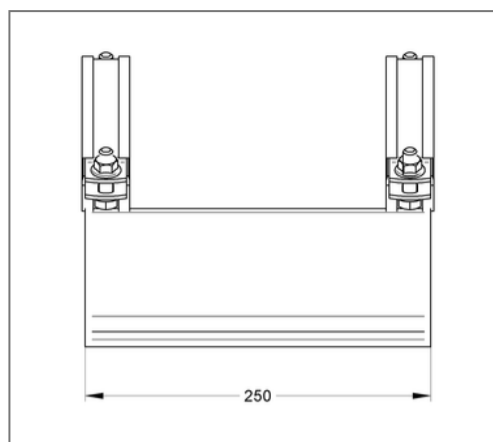
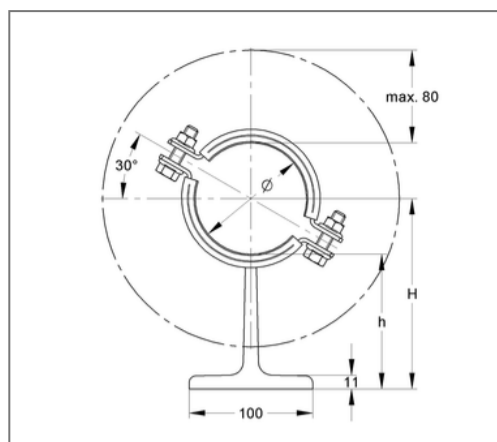
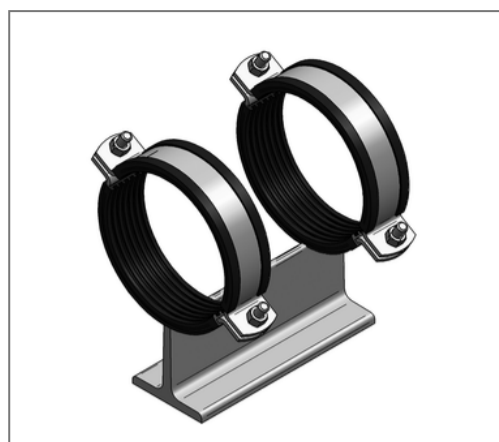


■ Sliding support T h=111 50 x 5 mm 110 mm TPE hot-dip galv.



Commercial details

Part no.	145fb0110
EAN/GTIN	4250928460165
Packing unit	1 pcs
Quantity unit	pcs
Weight	7,19 kg/pc
Product group	14-148
Price unit	1

QR code



Certification



Specification

Specification	T-support
Closure screw	M12

Technical data

Material	Steel
Material type	S235
Surface	hot-dip galvanized
Corrosion category	C4 high / C5 medium
Surrounding area	Indoor and outdoor areas
Insulation thickness	6 mm
Temperature resistance	-35 °C - 100 °C
Sound insulation lining	TPE
Safety factor	1,54
Class	B2

Product details

Outer pipe diameter	110 mm
Material dimension pipe clamp	50x5 mm
Width substructure	100 mm
Height base	111 mm
Length of substructure	250 mm
Load F_x	5,05 kN
Load F_y	3 kN
Load F_z hanging μ 0,2	6,4 kN
Load F_z hanging μ 0,3	6,4 kN

Product details

Load F_z standing μ 0,2	12,8 kN
Load F_z standing μ 0,3	10 kN