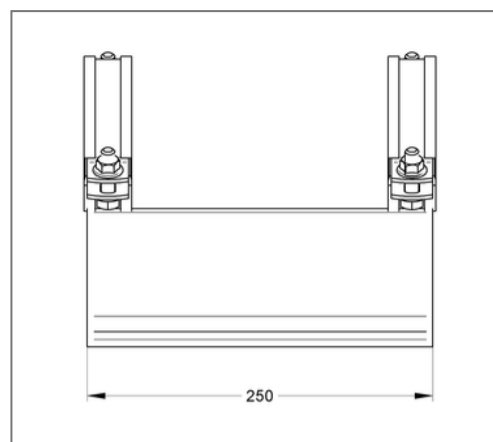
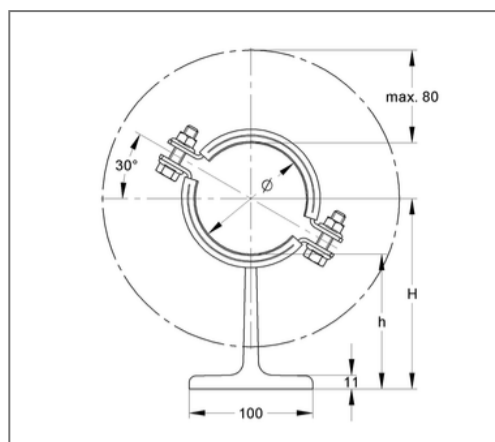
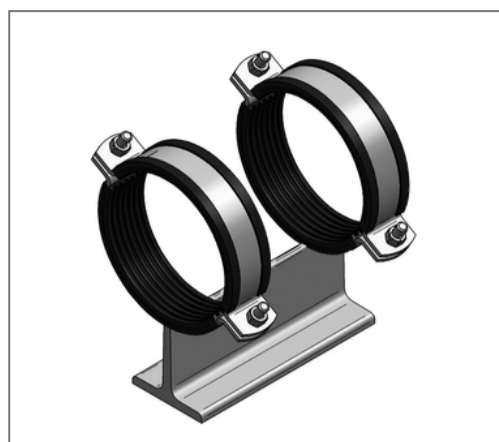


## ■ Sliding support T h=110 35 x 4 mm 25 mm TPE hot-dip galv.



### Commercial details

Part no.	145fb0025
EAN/GTIN	4250928460042
Packing unit	1 pcs
Quantity unit	pcs
Weight	5,15 kg/pc
Product group	14-148
Price unit	1

### QR code



### Certification



### Specification

Specification	T-support
Closure screw	M10

### Technical data

Material	Steel
Material type	S235
Surface	hot-dip galvanized
Corrosion category	C4 high / C5 medium
Surrounding area	Indoor and outdoor areas
Insulation thickness	6 mm
Temperature resistance	-35 °C - 100 °C
Sound insulation lining	TPE
Safety factor	1,54
Class	B2

### Product details

Outer pipe diameter	25 mm
Material dimension pipe clamp	35x4 mm
Width substructure	100 mm
Height base	110 mm
Length of substructure	250 mm
Load $F_x$	5,34 kN
Load $F_y$	1,2 kN
Load $F_z$ hanging $\mu$ 0,2	5,5 kN
Load $F_z$ hanging $\mu$ 0,3	4 kN

## Product details

Load $F_z$ standing $\mu$ 0,2	6 kN
Load $F_z$ standing $\mu$ 0,3	4 kN