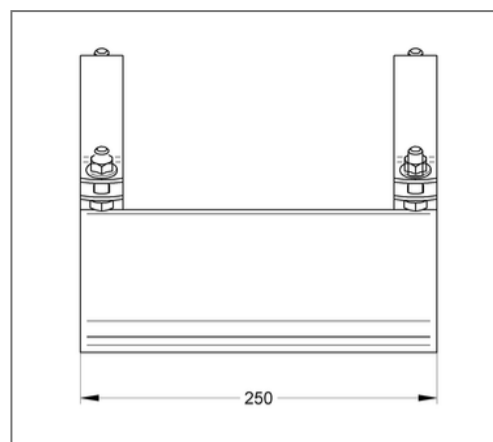
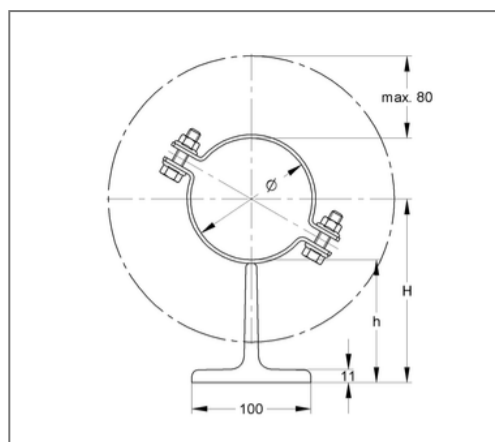
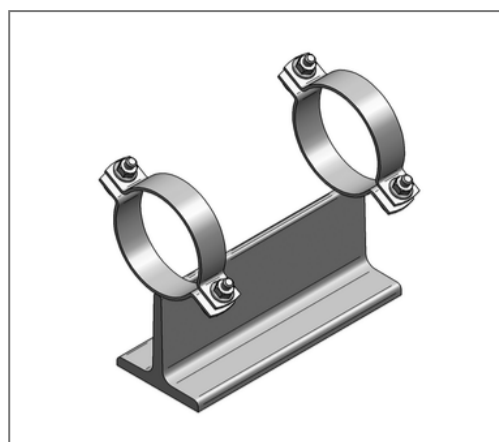


## ■ Sliding support T h=105 50 x 5 mm 140 mm unlined hot-dip galv.



### Commercial details

Part no.	145fa0140
EAN/GTIN	4250928459978
Packing unit	1 pcs
Quantity unit	pcs
Weight	7,19 kg/pc
Product group	14-148
Price unit	1

### QR code



### Specification

Specification	T-support
Closure screw	M12

### Technical data

Material	Steel
Material type	S235
Surface	hot-dip galvanized
Sound insulation lining	unlined
Safety factor	1,54

### Product details

Outer pipe diameter	140 mm
Material dimension pipe clamp	50x5 mm
Width substructure	100 mm
Height base	105 mm
Length of substructure	250 mm
load $F_x$	4,4 kN
load $F_y$	20 kN
load $F_z$ hanging	9,77 kN
load $F_z$ standing	19,53 kN