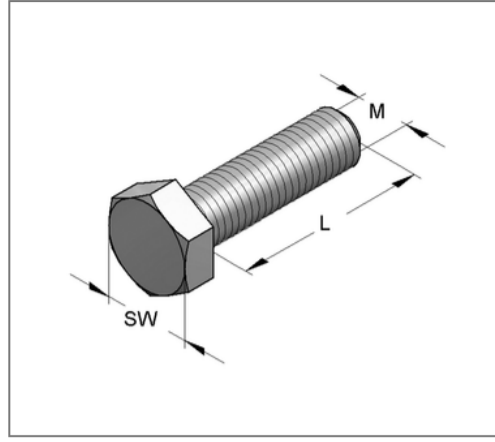
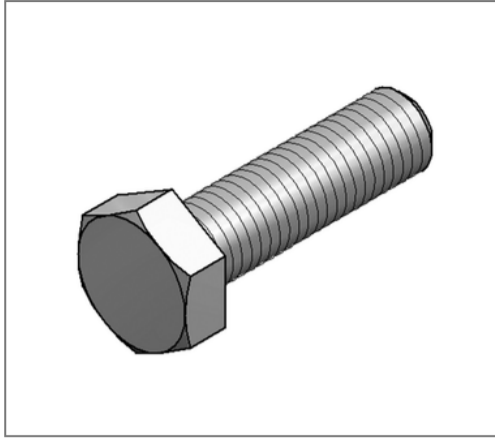


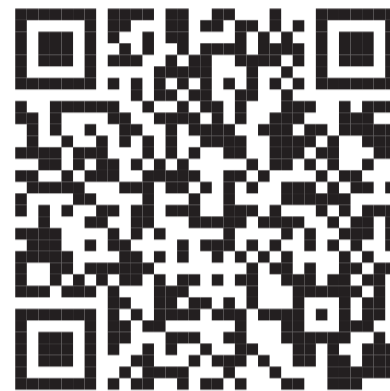
■ Hexagon screw EN ISO 4017 M12 x 90 mm hot-dip galv. FK 8.8



Commercial details

Part no.	32066069/fvz
EAN/GTIN	4250928459800
Packing unit	50 pcs
Quantity unit	pcs
Weight	0,0958 kg/pc
Product group	05-320
Price unit	100

QR code



Certification



Technical data

Material	Steel
Surface	hot-dip galvanized
Corrosion category	C4 high / C5 medium
Surrounding area	Indoor and outdoor areas
Norm	DIN EN ISO 4017
Strength class	8.8

Product details

Thread M	M12
Length L	90 mm
Wrench size SW	19
Shape head	Hexagon head