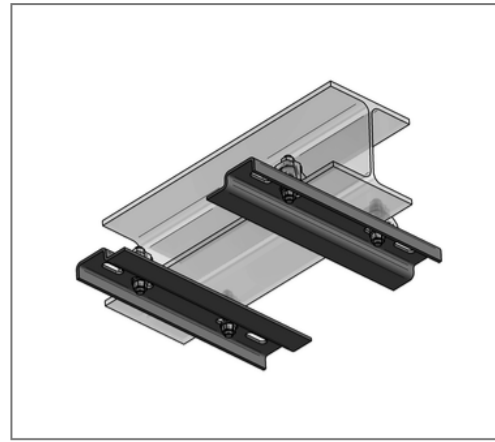
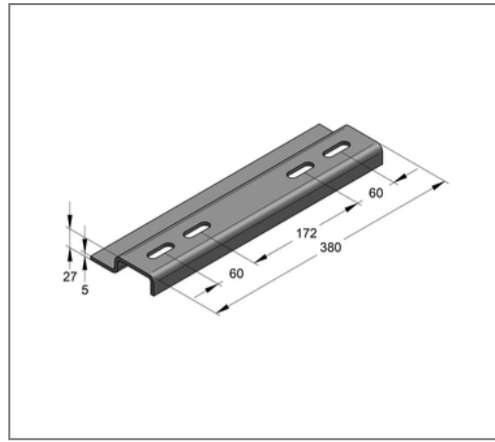
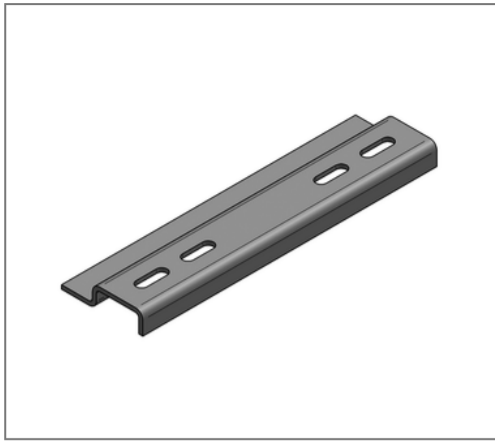


■ Guiding rail for sliding support hanging for HEA 140-300



Commercial details

Part no.	1663140300
EAN/GTIN	4250928459794
Packing unit	1 set
Quantity unit	set
Weight	4,55 kg/set
Product group	14-166
Price unit	1

QR code



Specification

Application area For fastening sliding supports to steel beams.

Technical data

Material	Steel
Material type	S235
Surface	hot-dip galvanized
Corrosion category	C4 high / C5 medium
Surrounding area	Indoor and outdoor areas

Product details

Type	hanging
Load F_z	6 kN
for beam HEA	140-300