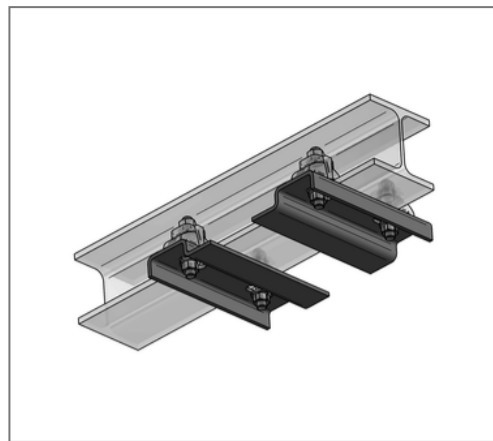
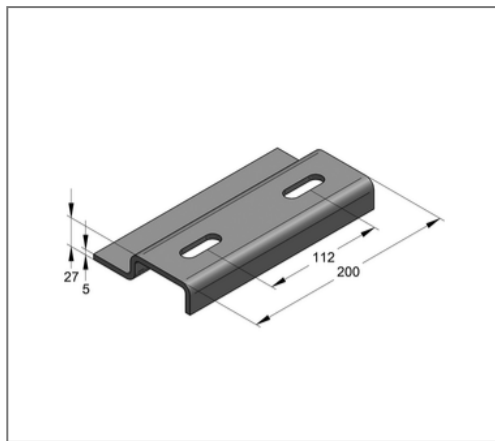
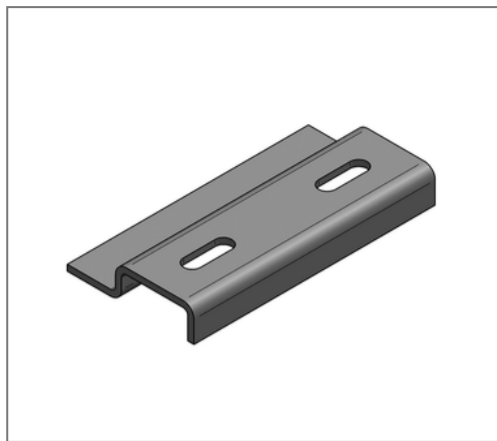


## ■ Guiding rail for sliding support hanging for HEA 80-120



### Commercial details

|               |               |
|---------------|---------------|
| Part no.      | 1663080120    |
| EAN/GTIN      | 4250928459480 |
| Packing unit  | 1 set         |
| Quantity unit | set           |
| Weight        | 2,40 kg/set   |
| Product group | 14-166        |
| Price unit    | 1             |

### QR code



### Specification

Application area For fastening sliding supports to steel beams.

### Technical data

|                    |                          |
|--------------------|--------------------------|
| Material           | Steel                    |
| Material type      | S235                     |
| Surface            | hot-dip galvanized       |
| Corrosion category | C4 high / C5 medium      |
| Surrounding area   | Indoor and outdoor areas |

### Product details

|              |         |
|--------------|---------|
| Type         | hanging |
| Load $F_z$   | 6 kN    |
| for beam HEA | 80-120  |