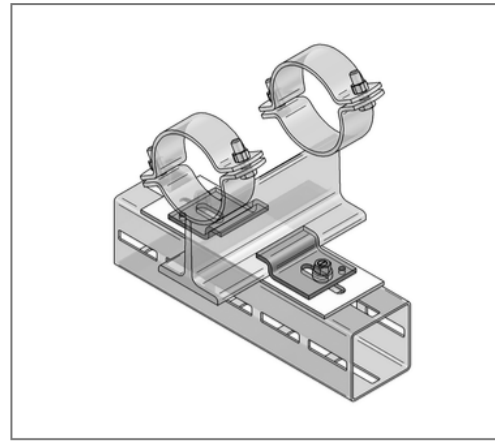
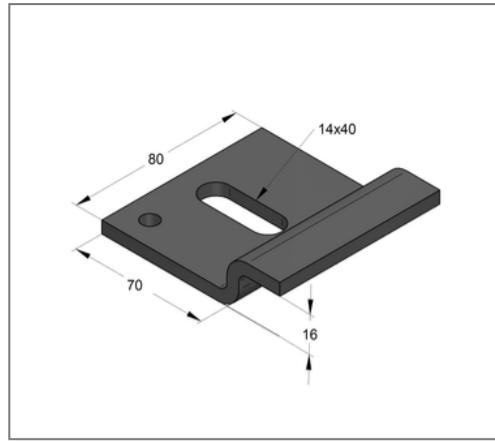
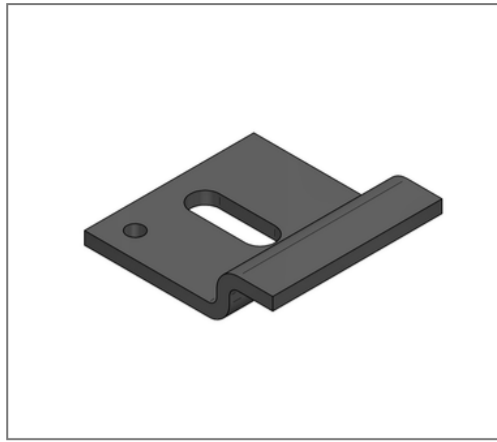


■ Z-Guides CENTUM max. plate thickness 16 mm hot-dip galv.



Commercial details

Part no.	1650015017
EAN/GTIN	4250928459725
Packing unit	1 set
Quantity unit	set
Weight	0,800 kg/set
Product group	14-165
Price unit	1

QR code



Certification



Specification

Application area	For guiding of sliding sledges and sliding supports. Use in pairs.
------------------	--

Technical data

Material	Steel
Material type	S235
Surface	hot-dip galvanized
Corrosion category	C4 high / C5 medium
Surrounding area	Indoor and outdoor areas

Product details

Width	80 mm
Height	22 mm
Length	70 mm
Number of fixing holes	1 pcs
Elongated hole	14x40 mm
max. plate thickness	16 mm
Thickness	6 mm