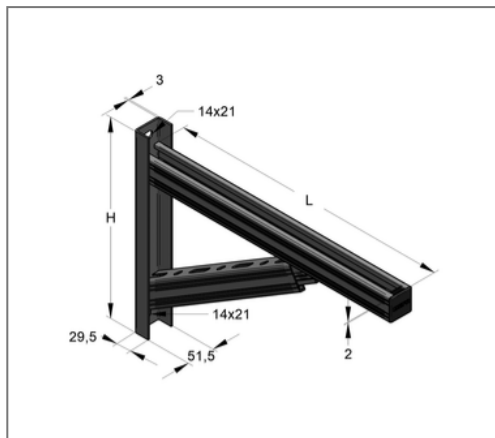


## ■ Carrier console with 1 brace L= 840 mm Profile 45/45



### Commercial details

Part no.	180470841/fvz
EAN/GTIN	4250928459572
Packing unit	6 set
Quantity unit	set
Weight	5,01 kg/set
Product group	02-083
Price unit	1

### QR code



### Certification



### Specification

Application	Console with welded strut as equipment base in the outdoor area.
Profile type	45/45
Delivery	with protective cap

### Technical data

Material	Steel
Material type	S235
Surface	hot-dip galvanized

### Product details

Height H	485 mm
Length L	840 mm
Thickness S	2 mm
Hole distance	439,5 mm
load F1	7,5 kN
load F2	2,6 kN