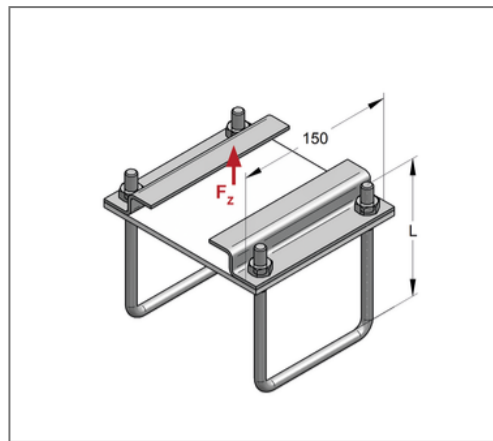
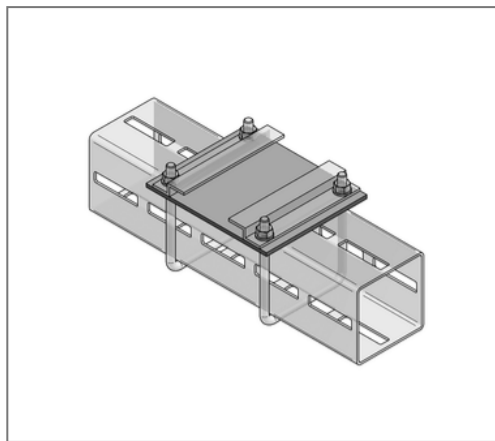
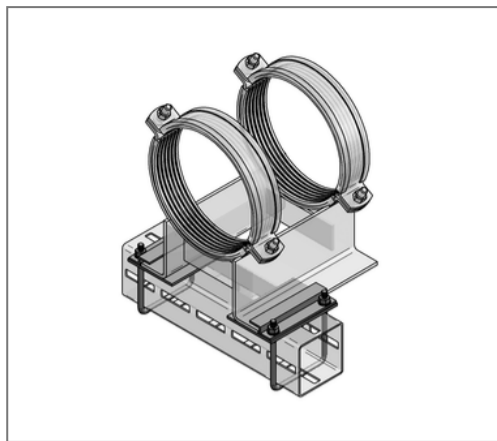


## ■ Z-Guides Set U-bolt XL 120 for sliding element width from 140 mm



### Commercial details

Part no.	14799141
EAN/GTIN	4250928459770
Packing unit	1 set
Quantity unit	set
Weight	1,11 kg/set
Product group	14-147
Price unit	1

### QR code



### Certification



### Specification

Application area	Guiding of sliding elements on CENTUM® XL 100, square tube 100 or CENTUM® XL 120 upright.
------------------	---

### Technical data

Material	Steel
Material type	S235
Surface	Zinc-Nickel
Corrosion category	C4 high / C5 medium
Surrounding area	Indoor and outdoor areas
min. temperature resistance	-30 °C
max. temperature resistance	110 °C

### Product details

Thread	M10
Length thread	50 mm
Hole-Ø	10,5 mm
Thickness	3 mm
Static friction factor	0,2 - 0,3
Center distance U-bolt	116 mm
Center distance hole	116 mm
for max. plate thickness	16 mm
Load $F_z$	4,5 kN
for sliding element width from	140 mm
Width Z-guides	64,5 mm
Profile type	XL 120

## Product details

Height U-bolt	140 mm
Height Z-guides	22 mm
Length Z-guides	150 mm