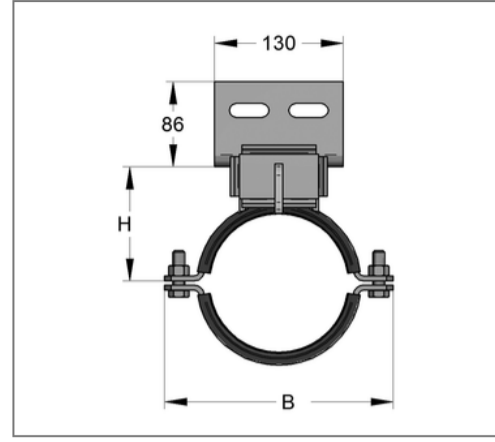
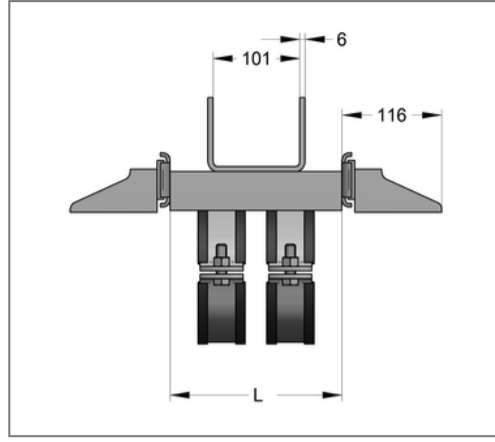
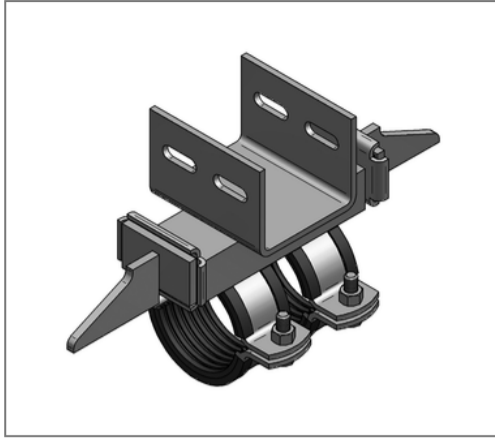


## ■ Fixpoint Type A 139,7 mm TPE/EPDM CENTUM® Massive connector



### Commercial details

Part no.	9993733
EAN/GTIN	4250928454201
Packing unit	1 pcs
Quantity unit	pcs
Weight	7,69 kg/pc
Product group	03-002
Price unit	1

### QR code



### Certification



### Specification

Application area	Sound-decoupled fixpoint for welding to ferritic steel pipes. With connection possibility to CENTUM® XL 100 square profile.
Number of pipe clamps	2
Specification	CENTUM® Massive connector
Clip size	2
Profile steel type	U80
Pipe clamp type	Titan HD

### Technical data

Material	Steel
Material type	S235
Surface	galvanized
Corrosion category	C2 very high
Surrounding area	Indoor area
min. temperature resistance	-35 °C
max. temperature resistance	100 °C
Sound insulation lining	TPE/EPDM
Material carrier and clamps	Steel
Material type carrier and clamps	S235JR
Material pressure pieces	Steel
Material type pressure pads	S235JR
Surface carrier and clamps	galvanized
Surface pressure pieces	raw

### Product details

Width B	231 mm
Height H	118 mm
Outer pipe diameter	139,7 mm
Measure construction h	69 mm
Width material pipe clamp	50 mm

### Remark

Note Bearing pressure or reactive force depends on weld seam on site (min. 3 mm fillet weld right / left) and CENTUM construction too.

Note The quality of weld seam has to be proofed.

## Product details

Width profile steel	80 mm
Height profile steel	45 mm
Length of pressure piece L2	116 mm
Length of profile steel L1	200 mm
Load $F_Y$	20 kN
Thickness material pipe clamp	5 mm