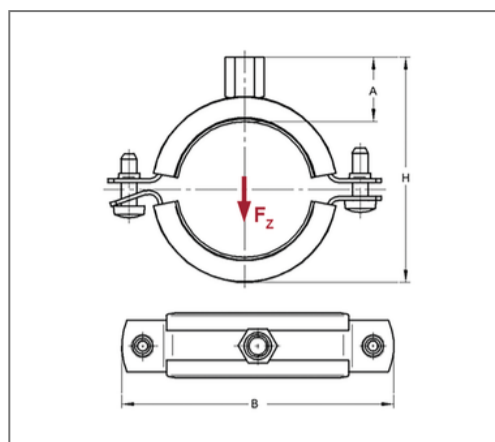


■ Pipe clamp Trabant Inox 20x1 21 - 25 mm M8/M10 TPE



Commercial details

Part no.	051003025
EAN/GTIN	4250928453853
Packing unit	100 pcs
Quantity unit	pcs
Weight	0,0585 kg/pc
Product group	13-051
Price unit	100

QR code



Certification



Specification

Application area	Pipe clamp for fastening pipes.
Specification	two-part
Connection	M8/M10
Closure	Snap-in closure

Technical data

Material	Stainless steel
Material type	V4A
Surrounding area	Indoor and outdoor areas
Insulation thickness	4,5 mm
Temperature resistance	-35 °C - 100 °C
Sound insulation lining	TPE

Product details

Center distance S	51,5 mm
Connection height A	22 mm
Width B	69 mm
Colour sound insulation lining	black
Height H	48 - 53 mm
Material dimension	20x1 mm
Load F _z	0,4 kN
Clamping range	21 - 25 mm
Outside pipe diameter inch	val.RohraußendurchmesserZoll. 1/2 inch
Closure screw	M6

Remark

Delivery time	2 working days, ex works
Notice	Other sizes and connection threads on demand.