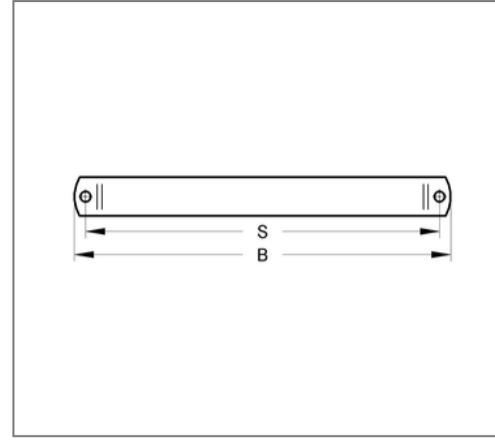
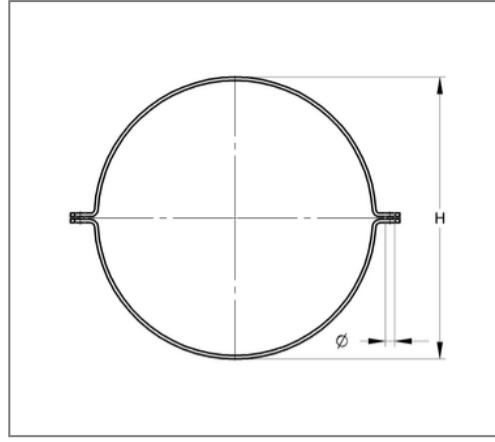
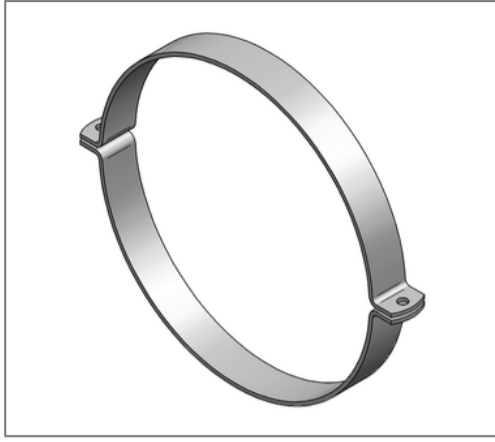


■ Pipe clamp Titan HD 50x5 356 mm without connection unlined



Commercial details

Part no.	0070962
EAN/GTIN	4250928403155
Packing unit	1 pcs
Quantity unit	pcs
Weight	2,47 kg/pc
Product group	01-007
Price unit	100

QR code



Specification

Application	Pipe clamp for fastening pipes in the heavy area
Specification	two-part
Connection	without connection
Closure	Screw coupling

Technical data

Material	Steel
Material type	S235
Surface	galvanized
Sound insulation lining	unlined

Product details

Center distance S	396 mm
Width B	436 mm
Height H	366 mm
Material dimension	50x5 mm
load F_z	16 kN
Outer pipe diameter	356 mm

Remark

Delivery time	5 - 8 working days ex works. Exchange and return are excluded.
Note	not certified acc. to RAL