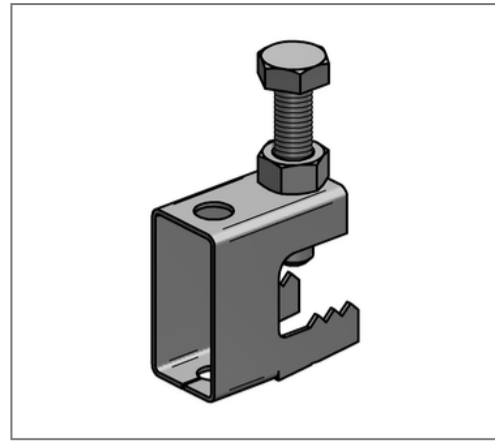
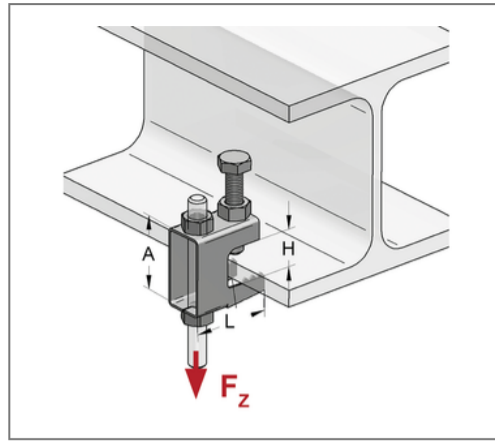
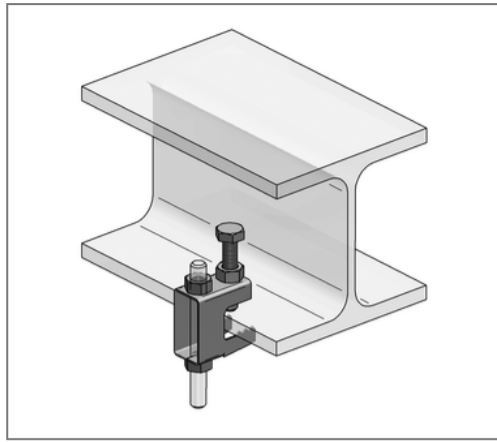


## ■ Beam clamp Steel PK M12 Clamping range 8 - 26 mm M12



### Commercial details

Part no.	0576808
EAN/GTIN	4250928459077
Packing unit	50 pcs
Quantity unit	pcs
Weight	0,236 kg/pc
Product group	05-057
Price unit	1

### QR code



### Certification



### Specification

Brand	Jiangmen Eurofix
Application area	Fast and simple mounting at steel structures and profiles.
Type of attachment	with thread
Scope of delivery	Beam clamp, hexagon head screw with lock

### Technical data

Material	Steel
Surface	galvanized
Corrosion category	C2 very high
Surrounding area	Indoor area
min. clamping thickness H	8 mm
max. clamping thickness H	26 mm

### Product details

Height A	61 mm
Load $F_z$	3,5 kN
Thread	M12
Length L	58 mm