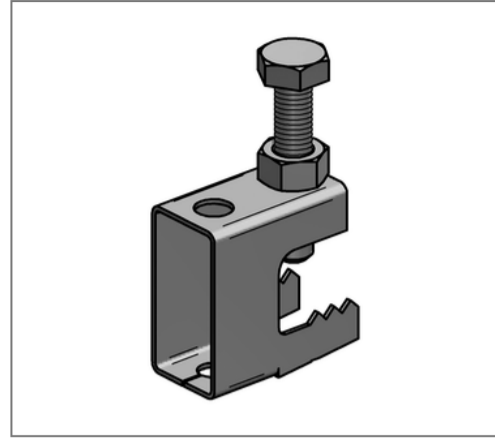
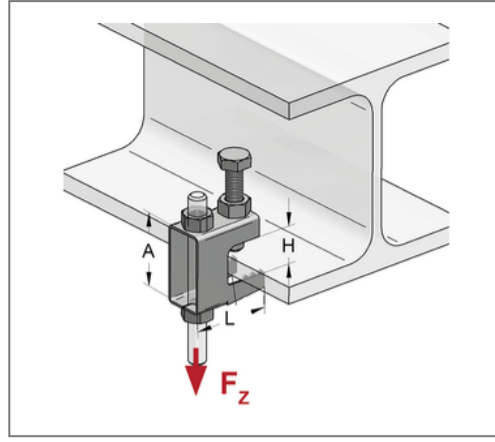
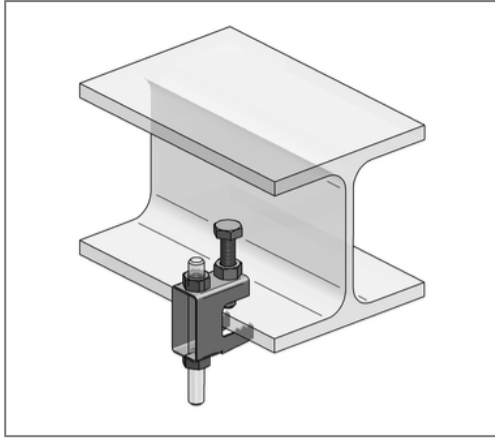


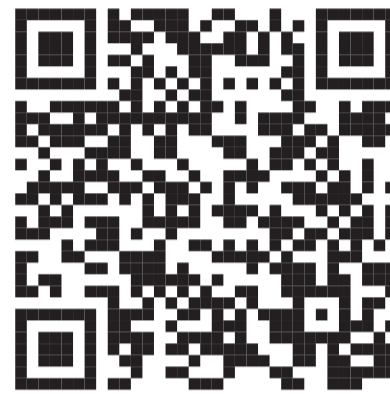
## ■ Beam clamp Steel PKB M10 Clamping range 0 - 22 mm M10



### Commercial details

Part no.	0576806
EAN/GTIN	4250928459060
Packing unit	50 pcs
Quantity unit	pcs
Weight	0,134 kg/pc
Product group	05-057
Price unit	1

### QR code



### Certification



### Specification

Brand	Jiangmen Eurofix
Application area	Fast and simple mounting at steel structures and profiles.
Type of attachment	with thread
Scope of delivery	Beam clamp, hexagon head screw with lock

### Technical data

Material	Steel
Surface	galvanized
Corrosion category	C2 very high
Surrounding area	Indoor area
max. clamping thickness H	22 mm

### Product details

Height A	44 mm
Load $F_z$	2,5 kN
Thread	M10
Length L	44 mm