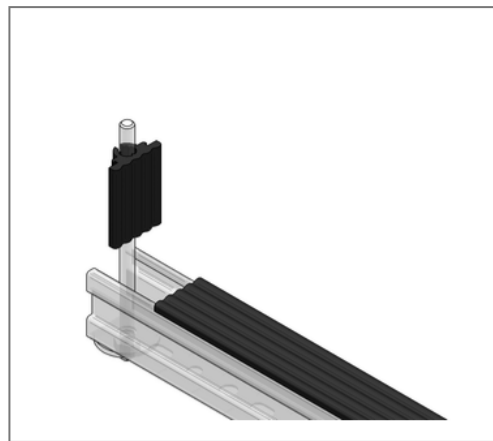
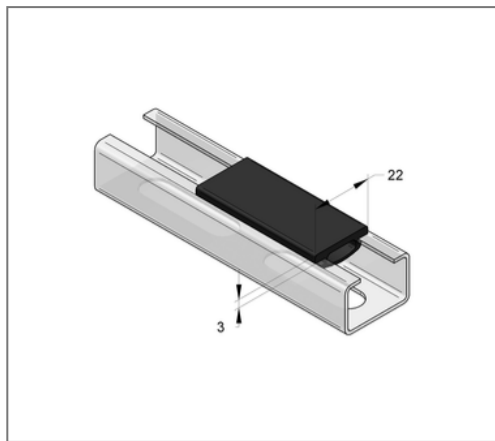
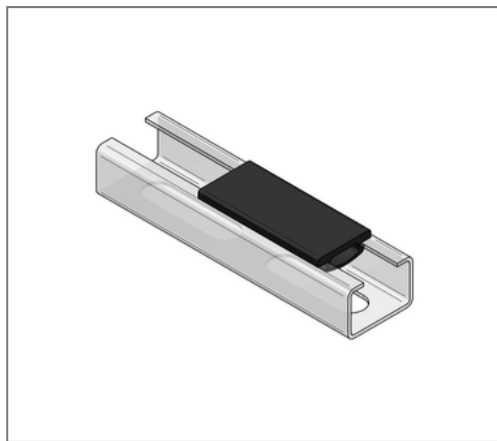


■ C-profile lining C-profile 27 20 m Plastic



Commercial details

Part no.	710001901
EAN/GTIN	4250928459305
Packing unit	20 m
Quantity unit	m
Weight	0,0990 kg/m
Product group	08-710
Price unit	1

QR code



Certification



Specification

Application area	Lining between profile rail and part to be supported (e.g. ventilation ducts).
------------------	--

Technical data

Material	Plastic
Material type	TPE
min. temperature resistance	-35 °C
max. temperature resistance	100 °C
Colour	black

Product details

Width	26 mm
Length	20 m