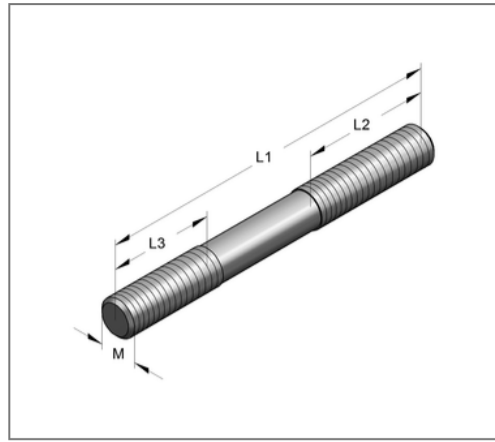
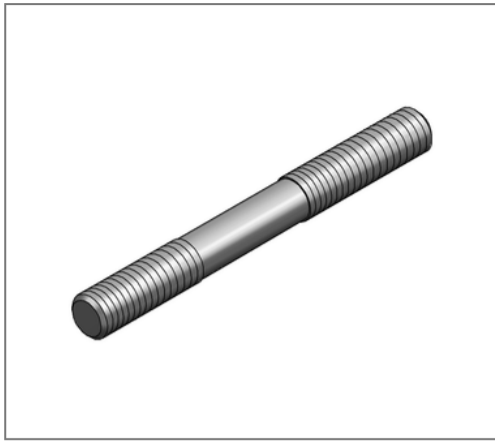


## ■ Threaded pin left-hand right-hand M10 x 60 mm galv. FK 4.6



### Commercial details

|               |               |
|---------------|---------------|
| Part no.      | 08120770      |
| EAN/GTIN      | 4250928459275 |
| Packing unit  | 10 pcs        |
| Quantity unit | pcs           |
| Weight        | 0,0212 kg/pc  |
| Product group | 02-081        |
| Price unit    | 1             |

### QR code



### Technical data

|                    |              |
|--------------------|--------------|
| Material           | Steel        |
| Surface            | galvanized   |
| Corrosion category | C2 very high |
| Surrounding area   | Indoor area  |
| Strength class     | 4.6          |

### Product details

|                  |         |
|------------------|---------|
| Thread M         | M10     |
| Length L1        | 60 mm   |
| Length thread L2 | 25 mm   |
| Length thread L3 | 25 mm   |
| Tension load     | 14,2 kN |