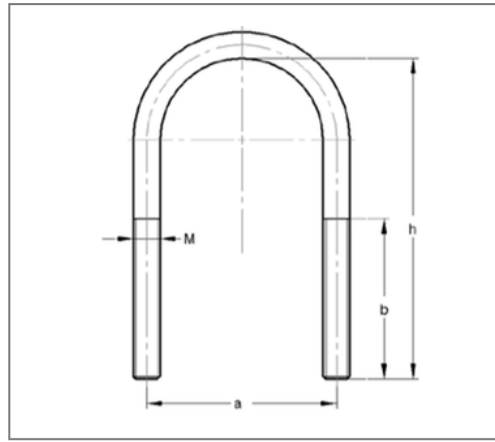


## ■ U-bolt 88,9 mm M10 Total height 155 mm



### Commercial details

Part no.	050708901
EAN/GTIN	4250928459237
Packing unit	50 pcs
Quantity unit	pcs
Weight	0,187 kg/pc
Product group	01-050
Price unit	1

### QR code



### Specification

Application area	For direct installation of piping onto steel structures and suitable for push-through-assembling into profile rails. Suitable for sprinkler and VdS.
------------------	--

### Product details

Center distance a	100 mm
Height h	155 mm
Outside pipe diameter inch	val.RohraußendurchmesserZoll.3 inch
Thread M	M10
Length thread b	75 mm
Outer pipe diameter	88,9 mm

### Technical data

Material	Steel
Material type	S235
Surface	galvanized
Corrosion category	C2 very high
Surrounding area	Indoor area

### Remark

Notice	without nut
--------	-------------