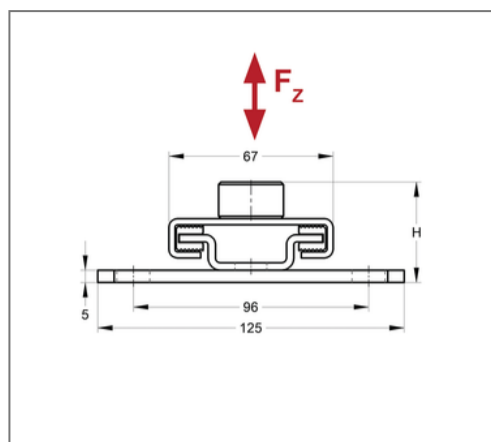
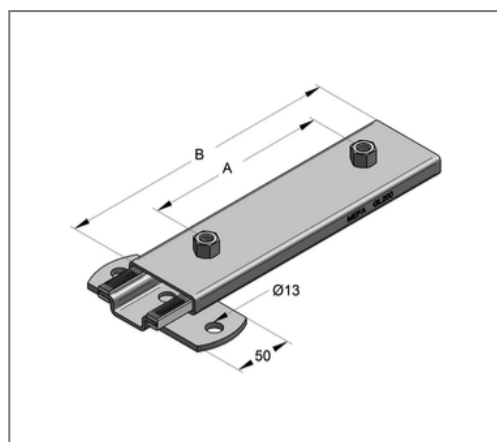
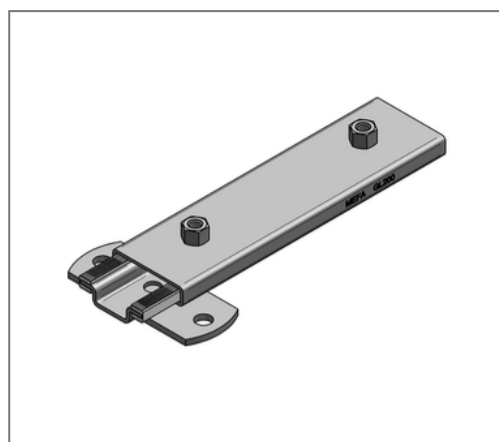


■ Slider axial GL 200 Connection 2 x 1/2" with lug ZnNi



Commercial details

Part no.	0770615/zn
EAN/GTIN	4250928456939
Packing unit	1 pcs
Quantity unit	pcs
Weight	0,998 kg/pc
Product group	04-174
Price unit	1

QR code



Certification



Specification

Application	Absorption of axial length expansion of area standing, hanging, horizontal or vertical passed pipes.
Specification	with lug

Technical data

Surface	Zinc-Nickel
Corrosion category	C4 high / C5 medium
Surrounding area	Indoor and outdoor areas
Material sliding element	Steel
Material type sliding element	S235
Material sliding stripe	Plastic
Material name sliding stripe	Polyamide 6
min. temperature resistance	-30 °C
max. temperature resistance	110 °C

Product details

Length	250 mm
Construction height	41 mm
Connection	2 x 1/2"
Number of connections	2
Thread	1/2"
Static friction factor	0,2 - 0,3
max. sliding distance axial	158 mm
Load F_z	3 kN
Hole-Ø	13 mm
max. width pipe clamp	260 mm