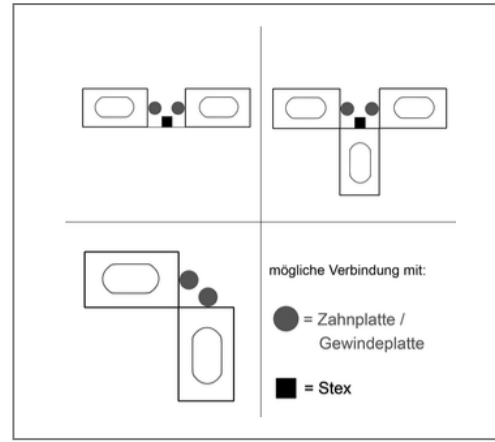
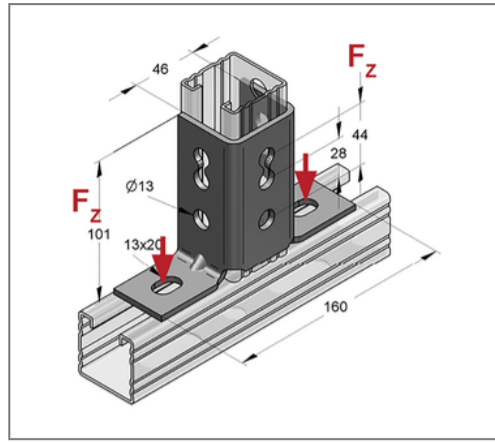
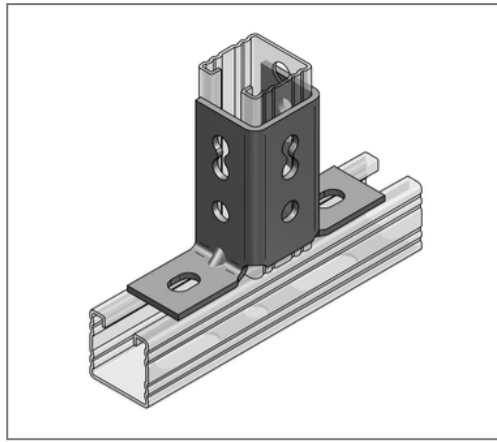


■ Angle connector C-profile 45 180° Number of wings 2 ZnNi



Commercial details

Part no.	08123100/zn
EAN/GTIN	4250928456618
Packing unit	15 pcs
Quantity unit	pcs
Weight	0,481 kg/pc
Product group	02-081
Price unit	1

QR code



Certification



Specification

Application area	For connecting profile rails.
Profile	C-profile
Profile type	45
Number of wings	2

Technical data

Material	Steel
Material type	S235
Surface	Zinc-Nickel
Corrosion category	C4 high / C5 medium
Surrounding area	val.Innen- und Außenbereich

Product details

Load F_z without profile	1,5 kN
Load F_z with profile	4 kN
Material thickness	4 mm
mounting angle	180 °
Elongated hole	20 mmx13
Length wing	56,5 mm
Width wing	45 mm
Hole-Ø	13 mm