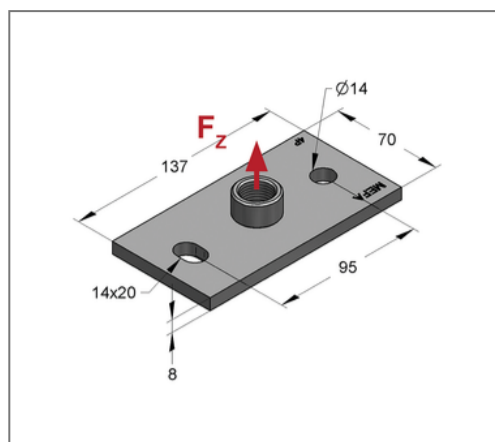
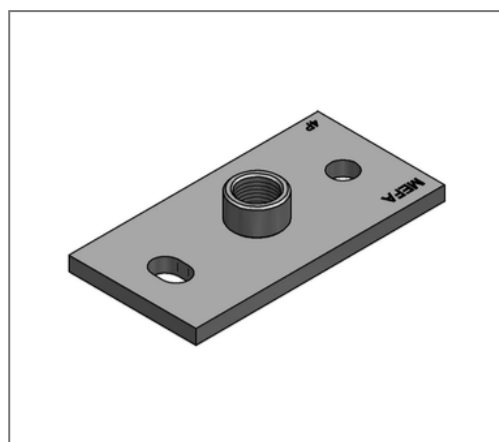


■ Base plate Type III ZnNi Connection 1/2" Plate 137x70x8 mm



Commercial details

| | |
|---------------|---------------|
| Part no. | 059060201/zn |
| EAN/GTIN | 4250928456991 |
| Packing unit | 1 pcs |
| Quantity unit | pcs |
| Weight | 0,621 kg/pc |
| Product group | 05-059 |
| Price unit | 100 |

QR code



Certification



Specification

Number of fixing holes 2 pcs

Technical data

| | |
|--------------------|--------------------------|
| Material | Steel |
| Material type | S235 |
| Surface | Zinc-Nickel |
| Corrosion category | C4 high / C5 medium |
| Surrounding area | Indoor and outdoor areas |

Product details

| | |
|--------------------------|----------|
| Connection | 1/2" |
| Length | 137 mm |
| Width | 70 mm |
| Thickness | 8 mm |
| Load F_z | 10 kN |
| Elongated hole | 14x20 mm |
| Hole distance lengthwise | 95 mm |

Remark

Note suitable sound-decoupling see chapter 3a