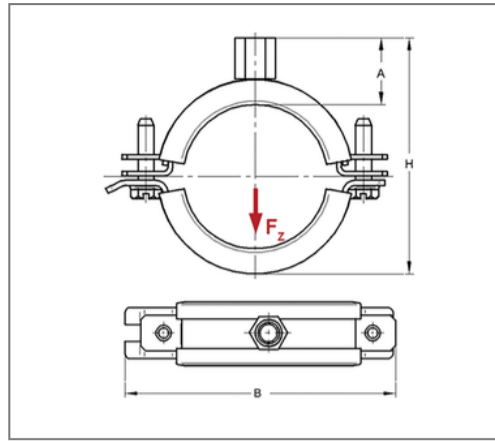


■ Pipe clamp Omnia MB ZnNi 25x3 164 - 168 mm M10/M12 TPE



Commercial details

Part no.	03981682/zn
EAN/GTIN	4250928450715
Packing unit	25 pcs
Quantity unit	pcs
Weight	0,526 kg/pc
Product group	01-039
Price unit	100

QR code



Certification



Specification

Application area	Pipe clamp for fastening pipes.
Specification	two-part
Connection	M10/M12
Closure	Sleuable U-closure

Technical data

Material	Steel
Material type	DD11
Surface	Zinc-Nickel
Corrosion category	C4 high / C5 medium
Surrounding area	Indoor and outdoor areas
Insulation thickness	6 mm
Temperature resistance	-35 °C - 100 °C
Sound insulation lining	TPE

Product details

Connection height A	30 mm
Width B	225 mm
Colour sound insulation lining	black
Height H	198 - 202 mm
Material dimension	25x3 mm
Load F_z	2,3 kN
Clamping range	164 - 168 mm
Outside pipe diameter inch	val.RohraußendurchmesserZoll. 6 inch
Closure screw	M8

Remark

Notice	Silicon sound insulation on request
--------	-------------------------------------