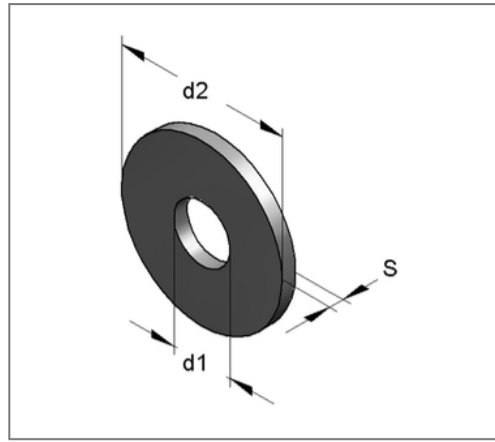
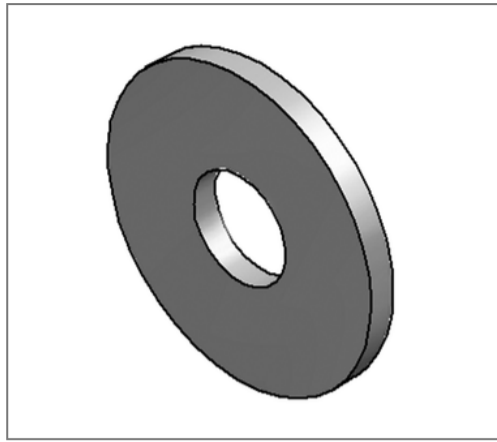


■ Washer 10,5 x 35 x 3 mm ZnNi



Commercial details

Part no.	4351053/zn
EAN/GTIN	4250928457172
Packing unit	100 pcs
Quantity unit	pcs
Weight	0,0210 kg/pc
Product group	05-435
Price unit	100

QR code



Certification



Technical data

Material	Steel
Surface	Zinc-Nickel
Corrosion category	C4 high / C5 medium
Surrounding area	Indoor and outdoor areas

Product details

Inner diameter d_1	10,5 mm
Outer diameter d_2	35 mm
Thickness S	3 mm