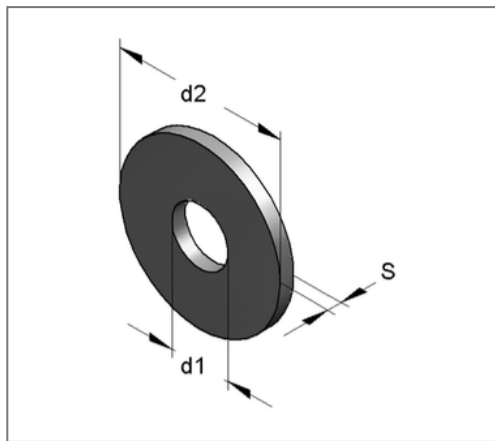
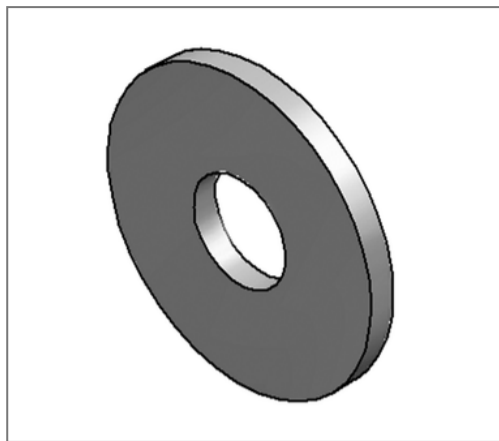


■ Washer DIN 9021 17 x 50 x 3 mm hot-dip galv.



Commercial details

Part no.	4330285/fvz
EAN/GTIN	4250928457196
Packing unit	100 pcs
Quantity unit	pcs
Weight	0,0447 kg/pc
Product group	05-433
Price unit	100

QR code



Certification



Technical data

Material	Steel
Surface	hot-dip galvanized
Corrosion category	C4 high / C5 medium
Surrounding area	Indoor and outdoor areas
Norm	DIN 9021

Product details

Inner diameter d_1	17 mm
Outer diameter d_2	50 mm
Thickness S	3 mm