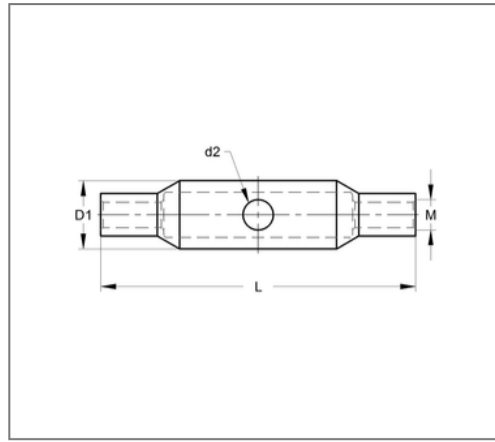
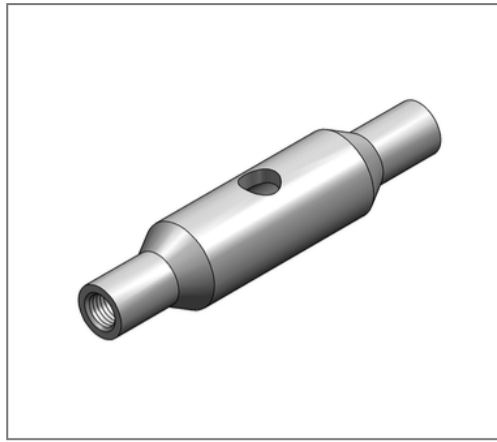


## ■ Turnbuckle closed DIN 1478 M16 galv.



### Commercial details

Part no.	1660007416
EAN/GTIN	4250928449566
Packing unit	1 pcs
Quantity unit	pcs
Weight	0,370 kg/pc
Product group	14-166
Price unit	1

### QR code



### Specification

Application For tensioning tie rods in combination with left-hand right-hand threaded pins.

### Technical data

Material	Steel
Surface	galvanized
Corrosion category	C2 very high
Surrounding area	Indoor area

### Product details

Load $F_z$	44 kN
Thread	M16
Length	170 mm
Hole- $\varnothing$	10 mm
Outer diameter	30 mm
Adjustability	120 mm