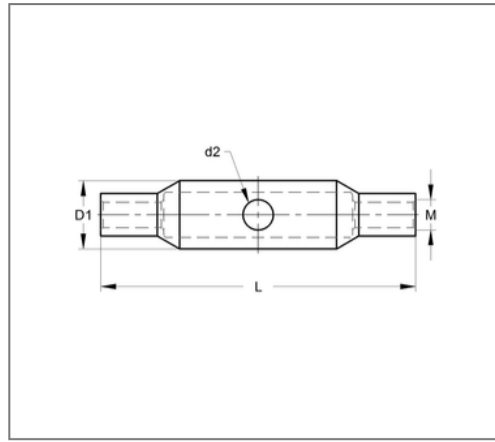
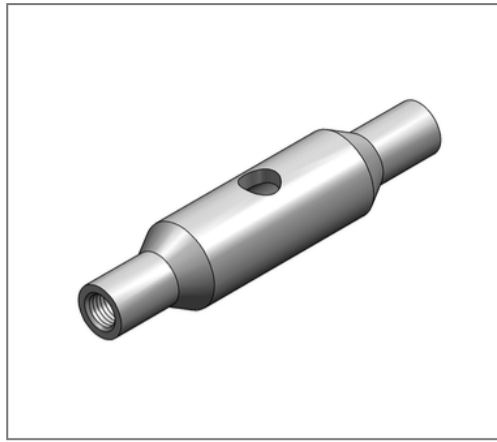


■ Turnbuckle closed DIN 1478 M12 galv.



Commercial details

Part no.	1660007412
EAN/GTIN	4250928449559
Packing unit	1 pcs
Quantity unit	pcs
Weight	0,241 kg/pc
Product group	14-166
Price unit	1

QR code



Specification

Application For tensioning tie rods in combination with left-hand right-hand threaded pins.

Technical data

Material	Steel
Surface	galvanized
Corrosion category	C2 very high
Surrounding area	Indoor area

Product details

Load F_z	24 kN
Thread	M12
Length	125 mm
Hole- \varnothing	10 mm
Outer diameter	25 mm
Adjustability	90 mm