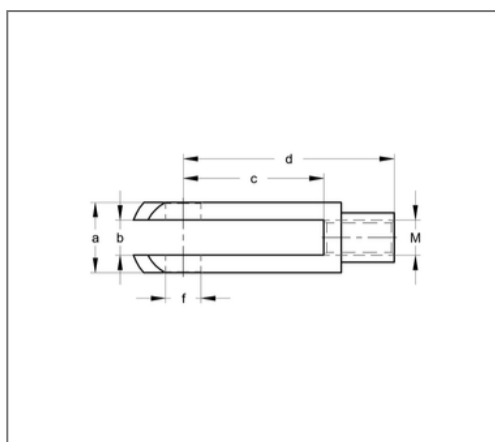
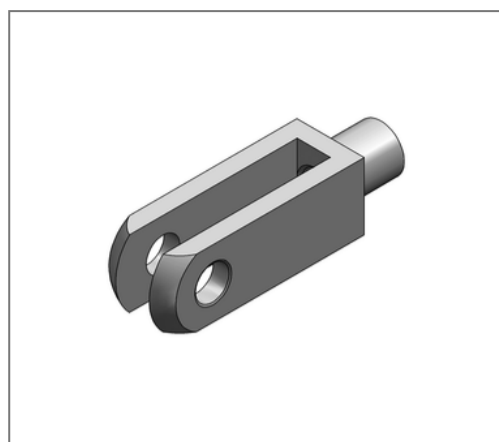


## ■ U-head M16 DIN 71752 16x64 mm



### Commercial details

Part no.	1660007316
EAN/GTIN	4250928449504
Packing unit	5 pcs
Quantity unit	pcs
Weight	0,414 kg/pc
Product group	14-166
Price unit	1

### QR code



### Specification

Application area	Accessories for the tension rod system or hanger chain.
------------------	---

### Technical data

Material	Steel
Surface	galvanized
Corrosion category	C2 very high
Surrounding area	Indoor area

### Product details

Height	32 mm
Load $F_z$	20 kN
Thread	M16
Hole-Ø	16 mm
Edge distance hole c	64 mm
Edge distance hole d	96 mm
Slot height	16 mm